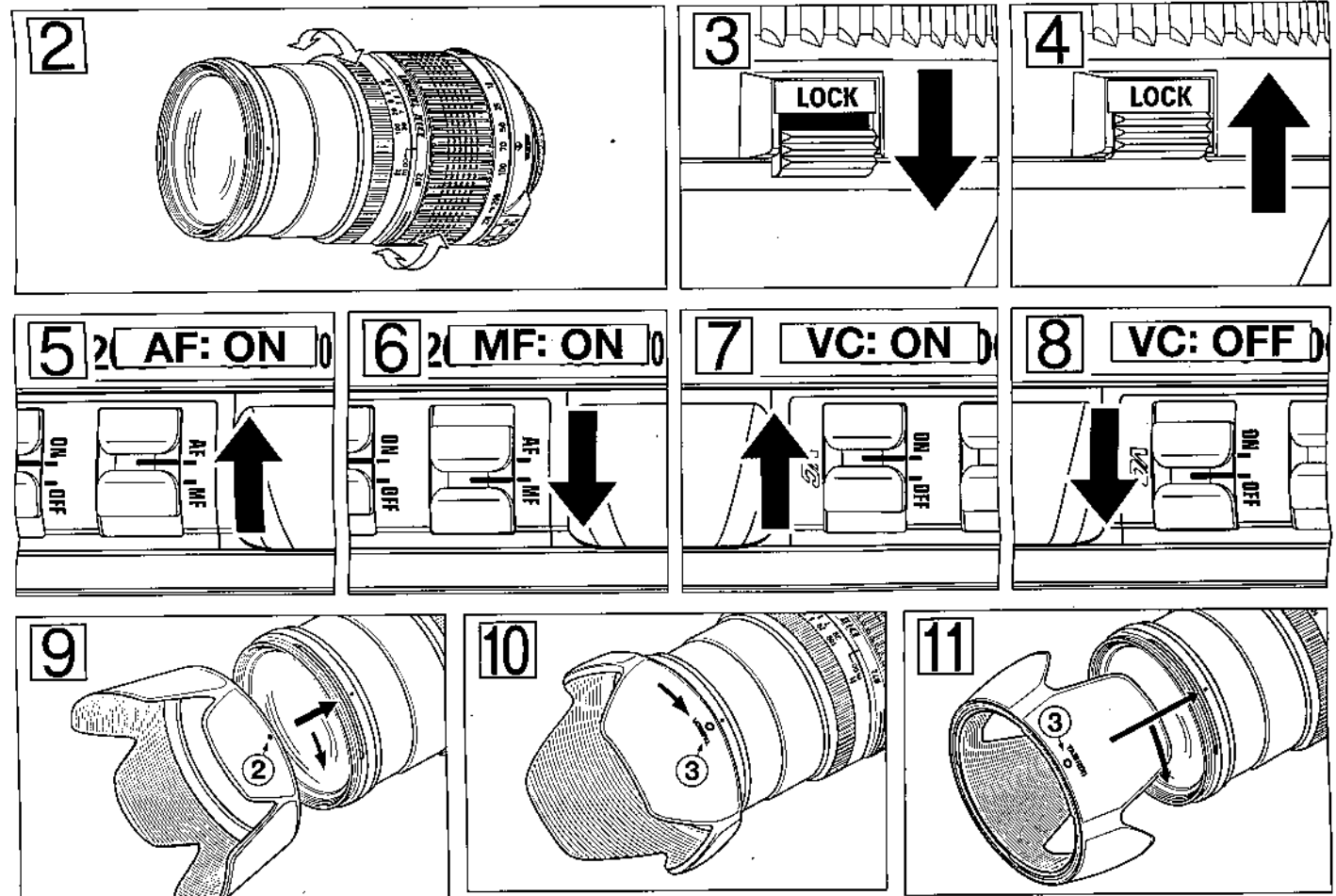
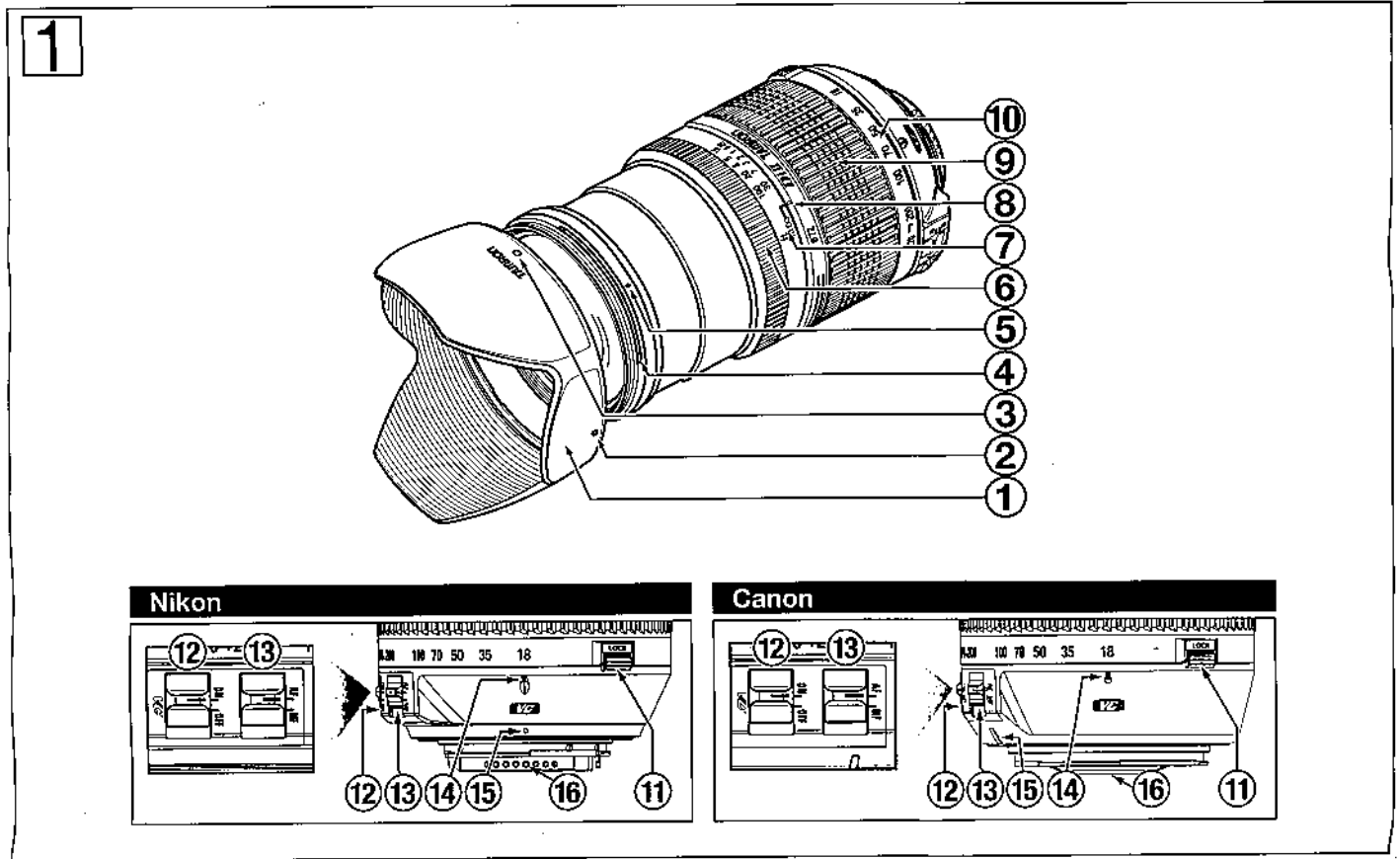


Nikon

TAMRON

● AF18-270mm F/3.5-6.3 DiII VC LD Aspherical [IF] Macro (Model B003)



CE

- * The CE Marking is a directive conformity mark of the European Community (EC).
- * Das CE-Zeichen entspricht der EC Norm.
- * La marquage CE est un marquage de conformité à la directive CEE (CE).
- * La marca CE es marca de conformidad según directiva de la Comunidad Europea (CE).
- * Il marchio CE attesta la conformità alla direttiva della Comunità Europea (CEE).
- * CE 标志表示符合欧洲共同体 (EC) 指标

The EEC Conformity Report applies to the Council Directive 98/336/EEC, 92/31/EEC, 93/68/EEC and is used by Tamron Co., Ltd., manufacturer of this product.

Thank you for purchasing the Tamron lens as the latest addition to your photographic equipment. Before using your new lens, please read the contents of this Owner's Manual thoroughly to familiarize yourself with your lens and the proper techniques for creating the highest quality images possible. With proper handling and care, your Tamron lens will give you many years of photographing beautiful and exciting pictures.

• Explains precautions that help to prevent problems.

• Explains things you should know in addition to basic operations.

NOMENCLATURE (Refer to Fig. 1, if not specified)

- ① Lens hood
- ② Hood attaching alignment mark
- ③ Hood attaching indicator
- ④ Filter ring
- ⑤ Hood attaching bayonet ring
- ⑥ Focusing ring
- ⑦ Distance scale
- ⑧ Distance index
- ⑨ Zooming ring
- ⑩ Focal length scale
- ⑪ Zoom lock switch (Figs. 3 & 4)
- ⑫ VC (Vibration Compensation) switch
- ⑬ AF/MF switch (Fig. 5 & 16)
- ⑭ Zoom index mark
- ⑮ Lens attachment mark
- ⑯ Lens mount/Lens mount contacts

SPECIFICATIONS

B003	
Focal Length	18-270 mm
Maximum Aperture	F/3.5-6.3
Angle of View	75°33' - 5°55'
Lens Construction	13/18
Minimum Focusing Distance	0.49 m (19.3")
Maximum Magnification Ratio	1:3.5 (at 270mm)
Filter Size ϕ	72 mm
Length	101 mm (3.9")
Diameter ϕ	79.6 mm (3.1")
Weight	550 g (19.6 oz)
Lens Hood	AB003

• Features and cosmetic designs of lenses listed in this owner's manual may be revised without notice.

ATTACHING AND REMOVING THE LENS

How to mount the lens

Remove the rear cap of the lens. Align the Lens attachment mark ⑮ on the lens barrel with its counterpart on the camera mount and insert the lens. In case of Nikon mount, rotate the lens counter-clockwise until it clicks into the locking position. In case of Canon mount, rotate the lens clockwise until it clicks into the locking position.

How to detach the lens

Press the lens release button on the camera down. In case of Nikon mount, rotate the lens clockwise until it clicks into the locking position. In case of Canon mount, rotate the lens counter-clockwise until it clicks into the locking position.

• For further details, please read the instruction manual of your camera.

FOCUSING (Autofocus) (Ref. Figs. 1, 2 & 15)

Switch the AF/MF switch ⑬ on the lens to AF (Fig. 5). In case of Nikon camera with the focus mode selector dial, set the focus mode to "S" or "C", and then set the AF/MF switch on the lens side ⑬ to "AF". Press the shutter button lightly while viewing through the camera's viewfinder. The lens focuses automatically. An in-focus mark will light when lens focuses on the main subject sharply. Press the shutter button further to photograph.

- When set on AF mode, Interfering with focusing ring ⑥ may cause serious damage to the lens mechanism.
- The distance scale ⑦ is marked for guidance purposes. The actual focal point may slightly differ from the distance marked on the focal length index.

• For further details, please read the instruction manual of your camera.

FOCUSING (Manual Focus) (Ref. Figs. 6, 7 & 16)

Switch the AF/MF switch ⑬ on the lens to MF (Fig. 6). In case of Nikon camera with the focus mode selector dial, set the focus mode to "M", and then set the AF/MF switch on the lens side ⑬ to "MF". Focus manually rotating the focusing ring ⑥ while viewing through the camera's viewfinder. The main subject in the viewfinder will be sharp when the lens is focused correctly.

- Even in the MF mode, when turning focusing ring ⑥ while pressing the shutter button halfway, the focus aid function lamp lights up when the picture is in focus.
- At infinity, make sure the image in the viewfinder appears sharp. The infinity position is made with certain allowances to insure proper focus under a variety of conditions.
- For further details, please read the instruction manual of your camera.

VC MECHANISM (Ref. Fig. 1, 7 & 8)

VC (Vibration Compensation) is a mechanism which reduces the image blur caused by hand-held shooting. When using the VC, pictures can be taken at shutter speeds up to a maximum 4 stops slower than the speed when the VC is not used.

*Based on the company's standard measurement. Also, the correction of image blur differs depending on the conditions during picture taking and the person using the camera.

How to use VC mechanism

VC can be used in AF or MF mode.

1) Set the VC ⑫ switch on.

*When VC is not used, set the switch off.

2) Press the shutter button halfway to verify the effect of the VC.

When the shutter button is pressed down halfway, it takes about 1 second for the VC to provide a stable image.

With the VC mechanism, there are occasions when the image in the viewfinder blurs after the shutter button is pressed down halfway.

The VC can be effective for hand-held shots under the following conditions.

- Dimly lit locations
- Scenes where flash photography is forbidden
- Situations where your footing is uncertain
- Taking continuous shots of a moving subject

The VC may not be able to give full effect in the following cases:

- When a photograph is taken from a fast moving vehicle
- Shooting during the excessive movement of the camera
- Turn the VC switch OFF when taking pictures with the bulb setting or during long exposures. If the VC switch is ON, the VC mechanism may introduce errors.

*Please refer to the "Caution when using B003" on enclosed separate sheet for the cautions for each mount.

- With the VC mechanism, there are occasions that the image in the viewfinder blurs right after the shutter button is pressed down halfway, but this is not a malfunction.
- When the VC is ON, the number of images recordable is reduced due to the power used from the camera.
- When the VC is ON, immediately after the shutter button is pushed halfway down and approximately 2 seconds after a flinger releases the shutter button, the camera will "click". This sound is the VC's locking mechanism activating, not a malfunction.
- Turn the VC switch OFF when using tripod.
- After releasing the shutter button, the VC will continue to operate for about 2 seconds until the locking mechanism activates.
- When the lens is removed from the camera while VC is activating, the lens may make clicking sound when the lens is subjected to a jolt. This is not a malfunction. Re-attach the lens to the camera and turn the power ON. The sound should stop.
- The VC activates while the "release" button is pushed halfway down. (It is activated 2 seconds after the shutter button is released)
- VC can be used in AF or MF mode.

ZOOMING (Ref. Fig. 1 & 2)

Rotate zooming ring ⑨ of the lens while viewing through the camera's viewfinder and compose your image at the chosen focal length.

ZOOM LOCK SWITCH (Ref. Figs. 1, 3 & 4)

Zoom lock switch mechanism prevents lens barrels from extending toward long focal length by their own weight while hanging from shoulders. Activate the switch at 18mm setting to stop the lens barrels from rotating and extending.

How to activate the zoom lock switch mechanism

- 1) Locking: Set the lens to the 18mm position. Move the switch ⑪ toward the camera, until the index lines align with each other. The lens barrel is now locked in position and does not rotate or extend by its own weight.
- 2) Releasing: Push the switch away from your camera. The lens barrel is now free to rotate and extend for zooming.

- The zoom lock switch ⑪ cannot be activated unless the lens is set to the 18mm position. Do not force the lock switch or try to rotate the lens barrel while locked.
- The lens can be used at 18mm setting for picture-taking even when locked by the switch.
- The zoom lock mechanism is made to prevent the lens barrel from extending while carried around on shoulder. The lens may change its focal length during a long exposure if the lens is used in a low or high angle position.

LENS HOOD (Ref. Figs. 1, 9 to 11)

A bayonet-type lens hood is provided as standard equipment. We recommend shooting with the hood attached whenever possible as the lens hood eliminates stray light, which is harmful to the picture. However, please be aware of the precautions stated in the next section when your camera is equipped with a built-in flash.

Attaching the Lens Hood (Ref. Figs. 9 & 10)

Align Hood attaching alignment mark ② on the hood with the corresponding index mark ⑤ or the top of the index line of the distance scale on the lens. Press the hood lightly onto the hood attaching bayonet ring (Fig. 9) and then rotate it clockwise to secure (Fig. 10). The lens hood will be secure when the mark "TAMRON O" is at the top (Fig. 10). When attaching the lens hood, hold the focus and zoom control rings so that they are not rotated unintentionally.

- Pay particular attention to align the hood attaching indexes when using zoom lenses including wide-angle (e.i. 35mm or wider) settings. Improper attachment of a hood on a wide-angle zoom lens may cause large shadowed areas in your pictures.

Stowing lens hood on the lens (Ref. Fig. [11])

- 1) Reverse the lens hood. Point the lens toward the opening, then align the hood attaching index on the lens with the (TAMRON O) alignment on the hood ③.
- 2) Turn the hood clockwise until the alignment mark (•) is at the top to set it. (Fig. [11])

PRECAUTIONS IN SHOOTING

The optical design for Di II takes into consideration the various features of digital single reflex cameras. However, due to the configuration of the digital single reflex cameras, even when the autofocus accuracy is within specifications, the focal point may be a little forward or behind the optimum point when shooting with auto focus under some conditions.

The image circles of Di II lenses are designed to match the digital SLR cameras using the image sensors equivalent to APS-C (approx. 15.5 × 23.2mm). Do not use Di II lenses with cameras using image sensors larger than APS-C. Using Di II lenses with such cameras may cause vignetting on the image.

The Tamron lenses described here employ an internal focusing (IF) system. Because of the characteristics of this optical design, the angles of view at distances other than infinity are wider than that of the lenses applying an ordinary focusing system.

When the built-in flash on the camera is used, adverse photographic phenomena such as corner illumination fall-off or vignetting at the bottom part of the image may be observed, specially in wide angle ranges. This is due to the inherent limitation of the coverage of the built-in flash, and/or the relative position of the flash to the edge of the lens barrel which causes shadows on the image. It is strongly recommended to use a suitable separate flash unit provided by the camera manufacturer for all flash photography.

For further details, please read the "built-in flash" article on the instruction manual of your camera.

When using the lens in the telephoto focal range, please be careful of camera shake.

To reduce image blur, turn the VC (Vibration Compensation) switch on.

To reduce image blur without using the VC function, follow the steps below.

To avoid camera shake on digital cameras, use higher ISO setting and for film cameras, use higher ISO film to obtain higher shutter speeds. Using a tripod or monopod is also effective.

When hand-holding the camera to take pictures, stand still opening your legs slightly apart, hold your elbows in firmly against your chest, and hold the camera firmly against your face. If possible, lean against something to steady yourself or place the camera on something to secure the hold. Especially when hand-holding your camera, you will be steadier if you hold your breath while you press the shutter button gently and firmly.

When set on AF mode, interfering with focusing ring may cause serious damage to the lens mechanism.

Certain camera models may indicate the maximum and minimum aperture values of the lens in approximate numbers. This is inherent to the design of the camera and not an indication of an error.

Please be aware that there is no infrared index line on any models listed in this owner's manual, and therefore, practically, no black-and-white infrared film can be used with these lenses.

When using a special filter such as a PL filter, use low profile filters. The thick rim of a normal filter may cause vignetting.

TO ENSURE LONG-TERM SATISFACTION

Avoid touching the glass element surface. Use a photographic lens cloth or blower to remove dust from the lens element surface. When not using the lens, always place a lens cap on it for protection.

Use a lens cleaning tissue or lint cloth with a drop of cleaning solution to remove fingerprints or dirt on the glass lens surface with a rotary motion from the center to the edge.

Use a silicon cloth to clean your lens barrel only.

Mildew is an enemy of your lens. Clean the lens after shooting near water or in any humid place. Store your lens in a clean, cool and dry place. When storing the lens in a lens case, store it with commercially available drying agent such as silica gel, and change the agent occasionally. If you find mildew on your lens, consult an authorized repair shop or nearby photographic store.

Do not touch the lens-camera interface contacts since dust, dirt and/or stains may cause a contact failure between the lens and camera.

When using your equipment [camera(s) and lens(es)] in an environment where the temperature changes from one extreme to the other, make sure to put your equipment temporarily in a case or a plastic bag for a length of time in order for the equipment to go through a gradual temperature shift. This will reduce potential equipment trouble.

Wir danken Ihnen für das Vertrauen, das Sie uns mit dem Erwerb des Tamron Objektivs zur Ergänzung Ihrer photographischen Ausrüstung bewiesen haben. Bevor Sie Ihr neues Objektiv verwenden, lesen Sie bitte diese Anleitung sorgfältig durch, um sich mit dem Objektiv und den photographischen Techniken zur Fertigung von Bildern höchster Qualität vertraut zu machen. Bei richtigem Einsatz und guter Pflege wird Ihnen das Tamron Objektiv viele Jahre gute Dienste bei der Schaffung schöner, außergewöhnlicher Bilder leisten.

- Beschreibt die Vorsichtsmaßnahmen, die beachtet werden sollten, um möglichen Problemen vorzubeugen.
- Beschreibt die Punkte, die zusätzlich zum grundsätzlichen Betrieb beachtet werden müssen.

BEZEICHNUNG DER TEILE (Siehe Abb. 1, wenn nicht anders angegeben)

- 1: Gegenlichtblende
- 2: Befestigungsmarkierung für Gegenlichtblende
- 3: Markierung für "Blende angebracht"
- 4: Filterring
- 5: Bajonettring für Gegenlichtblende
- 6: Einstellring für manuelles Fokussieren
- 7: Entfernungsskala
- 8: Entfernungsskala
- 9: Zoom-Ring
- 10: Brennweitenskala
- 11: Verriegelung für Zoom-Ring (Abb. 19 & 4)
- 12: VC Taste
- 13: AF/MF Umschaltung (Abb. 51 & 16)
- 14: Indexmarkierung für Zoom
- 15: Befestigungsmarkierung für Objektiv
- 16: Objektivanschluss/Kontaktstellen für Objektivanschluss

TECHNISCHE DATEN

	B003
Brennweite	18-270 mm
Maximale Blendendöffnung	F/3,5-6,3
Bildwinkel	75°33' - 5°55'
Objektivkonstruktion	13/18
Einstellentfernung	0,49 m
Maximaler Abbildungsmaßstab	1:3,5 bei 270 mm
Filtergröße ϕ	72 mm
Länge	101 mm
Durchmesser ϕ	79,8 mm
Gewicht	550 g
Gegenlichtblende	AB063

- Eigenschaften und äußeres Erscheinungsbild der in dieser Anleitung aufgeführten Objektivs können ohne vorherige Ankündigung geändert werden.

ANSETZEN UND ABNEHMEN DES OBJEKTIVS

Ansetzen des Objektivs

Nehmen Sie die hintere Objektivkappe ab. Richten Sie die Befestigungsmarkierung (15) des Objektivtubus mit der Markierung am Objektivanschluss an der Kamera aus und setzen Sie das Objektiv ein.

Bei einem Nikon-Anschluss drehen Sie das Objektiv im Gegenuhrzeigersinn, bis es in seiner Verriegelungsposition einrastet. Bei einem Canon-Anschluss drehen Sie das Objektiv im Uhrzeigersinn, bis es in seiner Verriegelungsposition einrastet.

Abnehmen des Objektivs

Drücken Sie den Objektiv-Entriegelungsknopf an der Kamera. Bei einem Nikon-Anschluss drehen Sie das Objektiv im Uhrzeigersinn, bis es in seiner Verriegelungsposition einrastet. Bei einem Canon-Anschluss drehen Sie das Objektiv im Gegenuhrzeigersinn, bis es in seiner Verriegelungsposition einrastet.

- Für weitere Informationen lesen Sie bitte die Bedienungsanleitung Ihrer Kamera.

FOKUSSIEREN (Autofokus) (Siehe Abb. 1, 2 & 5)

Schalten Sie den AF/MF-Schalter (13) auf dem Objektiv auf AF (Abb. 15). Stellen Sie den Fokus auf S oder C wenn Sie eine Nikon-Kamera mit Fokus-Modusauswahl benutzen und stellen Sie dann den AF/MF-Schalter (13) am Objektiv auf AF-Modus. Drücken Sie leicht auf den Auslöser, während Sie durch den Sucher schauen, das Objektiv stellt automatisch scharf ein. Eine Scharfstellungsmarkierung leuchtet auf, sobald das Objektiv das Hauptmotiv scharf eingestellt hat. Drücken Sie den Auslöser weiter, um ein Bild zu machen.

- Wenn die Kamera auf AF gestellt ist, kann das Betätigen des Fokussierlings (6) schwere Schäden am Mechanismus des Objektivs verursachen.
- Die Entfernungsskala (7) wird für Suchzwecke markiert. Der aktuelle Brennpunkt kann unter Umständen leicht vom angezeigten Brennweiten-Index abweichen.

- Für weitere Informationen lesen Sie bitte die Bedienungsanleitung Ihrer Kamera.

FOKUSSIEREN (Manuell) (Siehe Abb. 1, 2 & 6)

Schalten Sie den AF/MF-Schalter (13) auf dem Objektiv auf MF (Abb. 16). Stellen Sie den Fokus auf M wenn Sie eine Nikon-Kamera mit Fokus-Modusauswahl benutzen und stellen Sie dann den AF/MF-Schalter (13) am Objektiv auf MF-Modus. Stellen Sie mit dem Einstellring scharf ein, während Sie durch den Kamerasucher schauen. Das Hauptmotiv im Sucher wird im Sichtfeld scharf abgebildet, sobald das Objektiv korrekt scharf gestellt wird.

- Auch wenn die Einstellung manuell gewählt wurde, leuchtet die Lampe der Scharfstellungs-Hilfsfunktion auf, sobald das Motiv scharf eingestellt ist, wenn der Fokussierling (6) gedreht und währenddessen leicht auf den Auslöser gedrückt wird.
- Stellen Sie sicher, dass das Motiv bei Unendlichkeitseinstellung im Sucher scharf abgebildet wird, da bei der Unendlichkeitseinstellung gewisse Zugeständnisse gemacht wurden, um korrekte Scharfstellung für eine breite Palette photographischer Bedingungen zu ermöglichen.
- Für weitere Informationen lesen Sie bitte die Bedienungsanleitung Ihrer Kamera.

VC MECHANISMUS (Siehe Abb. 1, 7 & 8)

Die VC (Vibration Compensation / Bildstabilisierung) ist ein Mechanismus, der dafür sorgt, dass freihändig gemachte Fotos weniger unscharf erscheinen. Verglichen mit der Einstellung, in der die VC nicht benutzt wird, kann die Verschlusszeit um bis zu vier Stufen langsamer eingestellt werden. Dies beruht auf Messungen nach unserem Standard. Hier kann es zu abweichenden Ergebnissen durch andere Aufnahmebedingungen kommen.

Verwendung des VC-Mechanismus

Die VC kann in AF oder MF Modus verwendet werden.

1) Aktivieren Sie die VC (12).

*Wenn Sie die VC nicht verwenden, deaktivieren Sie sie.

2) Drücken Sie den Auslöser zur Hälfte, um den Effekt der VC zu prüfen.

Wird der Auslöser zur Hälfte gedrückt, vergeht ca. 1 Sekunde, bis die VC ein stabiles Bild anzeigt.

Wird der Auslöser zur Hälfte gedrückt, kann es durch den VC-Mechanismus zu Schwankungen im Sucherbild kommen.

Die VC ist bei manuellen Aufnahmen unter den folgenden Bedingungen wirksam.

- Orte mit schwacher Beleuchtung
- Szenen, für die kein Blitzlicht verwendet werden darf
- Situationen, bei denen der Fotograf den Halt verlieren kann
- Schnelle Bildfolge von sich bewegenden Objekten

In den folgenden Fällen kann die VC nicht vollständig wirksam werden:

- Wenn ein Foto aus einem Fahrzeug heraus gemacht wird, welches sich heftig bewegt.
- Heftige Bewegungen während der Aufnahme von Bildern.
- Deaktivieren Sie die VC beim Fotografieren mit Langzeitbelichtungen. Ist die VC aktiviert, können hierbei Fehler auftreten.

Bitte sehen Sie im "Vorsicht bei Gebrauch des B003" auf dem beiliegenden Extrablatt zu Vorsichtsmaßnahmen bei den jeweiligen Anschlüssen nach.

• Direkt nach dem Drücken der Auslösetaste zur Hälfte, kann es zu Schwankungen des Sucherbildes kommen. Dies ist durch das Prinzip des VC Mechanismus bedingt und kein Funktionsfehler.

• Wenn die VC aktiviert ist, reduziert sich die mögliche Aufnahmezahl von Bildern, da die erforderliche Energie für die VC aus der Kamera geleitet wird.

• Wird die VC im "ON"-Modus bedient, ist ein Klicken zu hören, sobald der Auslöser halb heruntergedrückt ist oder etwa zwei Sekunden nachdem der Finger vom Auslöser genommen wurde. Dies ist lediglich das Geräusch des Sicherungsmechanismus und kein Zeichen für einen Defekt.

• Bei Verwendung eines Stativs schalten Sie den VC-Schalter auf OFF.

• Die VC läuft noch etwa zwei Sekunden lang, nachdem der Finger vom Auslöser genommen wurde und bevor der Sicherungsmechanismus greift.

• Wenn das Objektiv von der Kamera abgenommen wird, während VC eingeschaltet ist, kann das Objektiv ein klapperndes Geräusch von sich geben, wenn es geschüttelt wird. Dies stellt keine Störung dar. Setzen Sie das Objektiv wieder auf und schalten Sie das Gerät an. Das Klappern sollte nicht mehr zu hören sein.

• Während der Auslöser gedrückt ist, läuft die VC (sie läuft auch etwa zwei Sekunden weiter, nachdem der Finger vom Auslöser genommen wurde).

• Die VC kann im AF oder MF Modus verwendet werden.

ZOOMEN (Siehe Abb. 1 & 2)

Drehen Sie den Zoom-Ring (9) am Objektiv, während Sie durch den Sucher schauen, und stellen Sie Ihr Bild mit der korrekten Brennweite ein.

ZOOM-LOCK (Siehe Abb. 1, 3 & 4)

Die B003 Modelle sind mit dem neu entwickelten Zoom-Lock ausgerüstet, einem Mechanismus, der verhindert, dass das Objektiv durch sein Eigengewicht ausfährt, während es über die Schulter gehängt ist. Dieser Mechanismus kann an der 18mm Einstellung aktiviert werden und verhindert Drehen und Ausfahren des Objektivtubus.

Aktivieren des Zoom-Lock Mechanismus

- 1) Verriegeln: Stellen Sie das Objektiv auf die 18mm Einstellung. Schieben Sie den Schalter (11) auf die Kamera zu, bis die Indexlinien miteinander übereinstimmen. Der Objektivtubus ist damit in dieser Position verriegelt und kann sich nicht durch sein Eigengewicht drehen oder ausfahren.
- 2) Freigeben: Schieben Sie den Schalter von der Kamera weg. Der Objektivtubus kann sich nun zum Zoomen frei drehen und ausfahren.

- Zoom-Lock (11) kann nur aktiviert werden, wenn das Objektiv auf die 18 mm Einstellung gestellt ist. Wenden Sie bitte keine Gewalt an und versuchen Sie auch nicht, das Objektiv in verschlossener Position zu drehen.
- Das Objektiv kann auch bei 18 mm Einstellung zum Fotografieren eingesetzt werden, wenn Zoom-Lock aktiviert ist.
- Der Zoom-Lock Mechanismus dient dazu, das Ausfahren des Objektivs zu verhindern, wenn es über die Schulter gehängt ist. Das Objektiv kann seine Brennweite während einer langen Belichtung verändern, wenn es in einem niedrigen oder hohen Winkel verwendet wird.

GEGENLICHTBLENDE (Siehe Abb. 1, 9 - 11)

Zu diesem Objektiv wird serienmäßig eine Bajonet-Gegenlichtblende geliefert. Es wird empfohlen, diese Gegenlichtblende stets zu verwenden, da sie für Ihre Bilder schädliches Streulicht unterbindet. Beachten Sie jedoch bitte die unten angeführten Vorsichtsmaßnahmen für den Fall, dass Ihre Kamera mit eingebautem Blitz ausgerüstet ist.

Befestigen der Gegenlichtblende (Siehe Abb. 19 & 10)

Richten Sie die Befestigungsmarkierung (2) der Gegenlichtblende mit der entsprechenden Indexmarkierung (5) am Objektiv aus und schieben Sie sie aufeinander. Drücken Sie die Gegenlichtblende gleichmäßig auf das Objektiv (Abb. 19) und drehen Sie sie im Uhrzeigersinn (Abb. 19). Die Gegenlichtblende ist sicher aufgesetzt, sobald die Markierung "TAMRON O" oben erscheint (Abb. 10), und die Blende einrastet. Halten Sie während dieses Vorgangs Einstellring und Zoom-Ring fest, um unbeabsichtigtes Drehen zu verhindern.

- Besondere Vorsicht bei der Übereinstimmung der Markierungen ist geboten, wenn Sie Zoom Objektiv mit Weitwinkel verwenden (z.B. 35 mm Brennweite oder kürzer). Die unsachgemäße Befestigung einer Gegenlichtblende für Weitwinkel Zoom Objektiv kann zu großflächigen Verschattungen auf Ihren Bildern führen.

■ Verstauen der Gegenlichtblende (Siehe Abb. (11))

- 1) Drehen Sie die Gegenlichtblende um und setzen diese umgekehrt am Gegenlichtblenden-Bajonett an der Frontlinse an. Richten Sie dann die Befestigungsmarkierung der Gegenlichtblende am Objektiv mit der Markierung (TAMRON ○) der Gegenlichtblende (3) aus.
- 2) Drehen Sie die Gegenlichtblende im Uhrzeigersinn bis sich die Markierung (*) oben befindet (Abb. 11)

VORSICHTSMASSNAHMEN BEI DER BELICHTUNG

- Beim optischen Design von Di II wurden die verschiedenen Merkmale der digitalen einäugigen Spiegelreflexkameras berücksichtigt. Konstruktionsbedingt kann es allerdings bei den digitalen einäugigen Spiegelreflexkameras, auch wenn die Genauigkeit des Auto-Fokus innerhalb der Spezifikation liegt, unter bestimmten Bedingungen bei Auto-Fokus-Aufnahmen vorkommen, dass sich der Fokus etwas vor oder hinter dem optimalen Punkt befindet.
- Die Bildkreise von Di II-Linsen sind so konzipiert, dass sie zu den digitalen SLR-Kameras passen, die Bildsensoren verwenden, die APS-C (approx. 15,5 × 23,2mm) entsprechen. Verwenden Sie keine Di II-Linsen an Kameras, die Bildsensoren verwenden, die größer als APS-C sind. Die Verwendung von Di II-Linsen an solchen Kameras kann eine Vignettierung auf dem Bild hervorrufen.
- Die hier beschriebenen Tamron-Objektive sind mit einem Innenfokussiersystem (IF) ausgestattet. Bedingt durch dieses Konstruktionsprinzip ist bei allen Einstellungen außer "unendlich" der Blickwinkel größer als bei Objektiven herkömmlicher Bauweise.
- Bei Verwendung eines in die Kamera eingebauten Blitzgerätes kann es, besonders im Weitwinkelbereich, zu negativen Erscheinungen wie Lichtabfall in den Ecken oder Abschattungen am unteren Bildrand kommen. Dies ist auf den eingeschränkten Blitzbereich und/oder die Position des Blitzgerätes zum Objektiv zurückzuführen. Das Objektiv kann hierbei den Blitz abschatten. Es wird daher dringend empfohlen, für alle Blitzaufnahmen ein vom Hersteller der Kamera geeignetes, separates Blitzgerät zu verwenden. Einzelheiten entnehmen Sie bitte dem Abschnitt "Eingebautes Blitzgerät" der Bedienungsanleitung Ihrer Kamera.
- Wenn das Objektiv im Tele-Bereich verwendet wird, ist die Kamera besonders anfällig gegen Verwacklungen. Um die Unschärfe durch Verwacklung zu reduzieren, aktivieren Sie die VC-Funktion (Vibration Compensation / Bildstabilisierung).
Um Verwacklungen ohne Verwendung der VC-Funktion zu reduzieren, gehen Sie wie folgt vor.
Um ein Verwackeln der Kamera zu vermeiden, verwenden Sie bei Digitalkameras eine höhere ISO-Einstellung und für Filmkameras einen Film mit höherer ISO-Zahl, um eine kürzere Verschlusszeit zu erreichen. Auch die Verwendung eines Einbein- oder Dreibeinstativs kann hilfreich sein.
- Wenn Sie freihändig fotografieren, stehen Sie mit leicht gespreizten Beinen, drücken Sie Ihre Ellenbogen fest gegen Ihre Brust und drücken Sie die Kamera fest an Ihr Gesicht. Lehnen Sie sich, falls möglich, an einen festen Gegenstand an, um sich abzustützen, oder setzen Sie die Kamera auf einen festen Gegenstand auf, um die Aufnahmeposition zu sichern. Wenn Sie die Kamera mit der Hand halten, stehen Sie ruhiger, wenn Sie den Atem anhalten; drücken Sie dann langsam und fest auf den Auslöser.
- Wenn die Kamera auf AF gestellt ist, kann das Betätigen des Fokussierings schwere Schäden am Mechanismus des Objektivs verursachen.
- Manche Kameramodelle zeigen die größte und kleinste Blende des Objektivs als Näherungswert an. Dies ist Teil des Kamerakonzepts und stellt keinen Defekt am Objektiv dar.
- Beachten Sie bitte, dass für keines der in dieser Bedienungsanleitung aufgeführten Modelle eine Infrarot-Indexlinie angegeben ist, was praktisch bedeutet, dass mit diesen Objektiven kein Schwarz-Weiß Infrarotfilm eingesetzt werden kann.
- Wenn Sie einen Spezialfilter verwenden, wie z. B. einen Pol-Filter, verwenden Sie Filter mit einer schmalen Fassung. Die hervorstehende Kante eines normalen Filters kann eine Vignettierung hervorrufen.

HINWEISE ZUR PFLEGE UND AUFBEWAHRUNG

- Linsenoberflächen dürfen nicht berührt werden. Verwenden Sie ein geeignetes Tuch oder einen Pinsel zur Entfernung von Staub. Bei Nichtgebrauch des Objektivs bitte stets Schutzkappen aufsetzen.
- Fingerabdrücke oder Verschmutzungen der Linse entfernen Sie mit einem speziellen Linsenreinigungstuch, auf das Sie eine geringe Menge Reinigungsflüssigkeit geben und die Linse mit kreisförmigen Bewegungen von der Mitte nach außen reinigen.
- Verwenden Sie zur Reinigung des Objektivtubus ein Silikontuch.
- Jegliche Bildung von Schimmel kann Schäden verursachen. Reinigen Sie das Objektiv nach Einsatz in Wassernähe oder an feuchten Orten. Bewahren Sie das Objektiv an einem sauberen, kühlen und trockenen Ort auf. Wenn Sie das Objektiv in einer Objektivtasche aufbewahren, legen Sie ein im Handel erhältliches Trockenmittel wie z.B. Silicagel bei, das Sie von Zeit zu Zeit erneuern. Sollte es zu Schimmelbildung kommen, wenden Sie sich bitte an ein Fotofachgeschäft vor Ort.
- Vermeiden Sie jede Berührung mit den Kontakten zwischen Objektiv und Kamera, da Staub, Schmutz und/oder Flecken zu einem Kontaktausfall zwischen Objektiv und Kamera führen können.
- Bei Einsatz Ihrer Ausrüstung (Kamera(s) und Objektiv(e)) in einer extremen Temperaturschwankungen ausgesetzten Umgebung geben Sie bitte Ihre Ausrüstung vorübergehend in eine Tasche oder einen Plastikbeutel, so dass die Ausrüstung eine allmähliche Temperaturanpassung erfährt. Dadurch verringern Sie das Risiko, dass die Ausrüstung Probleme verursacht.

Nous vous remercions d'avoir choisi un objectif Tamron pour compléter votre équipement photographique. Nous vous conseillons de commencer par lire attentivement ce mode d'emploi qui accompagne cet objectif pour vous familiariser avec son utilisation et certaines techniques de prises de vues, ce qui vous permettra d'obtenir des images de meilleure qualité. Manipulé avec soin, votre objectif Tamron vous permettra de faire de très belles photographies pendant de nombreuses années.

• Précautions à prendre afin d'éviter les problèmes.

• Important.

NOMENCLATURE (Voir fig. 1, sauf indication contraire)

- ① Parasoleil
- ② Repère de montage du parasoleil
- ③ Repère de verrouillage du parasoleil sur l'objectif
- ④ Fixation du filtre
- ⑤ Repère de fixation de parasoleil sur l'objectif
- ⑥ Bague de mise au point
- ⑦ Échelle de distances
- ⑧ Repère des distances
- ⑨ Bague de réglage du zoom
- ⑩ Échelle de distances focales
- ⑪ Bouton de verrouillage du zoom (fig. 3) et 4)
- ⑫ Bouton VC
- ⑬ Sélecteur AF/MF (fig. 5) et 6)
- ⑭ Repère des focales du Zoom
- ⑮ Repère de fixation de l'objectif
- ⑯ Baïonnette de l'objectif/contacts de l'objectif

CARACTÉRISTIQUES

	B003
Distance focale	18-270 mm
Ouverture maximale	F/3,5-6,3
Champ angulaire	75°33' - 5°55'
Construction optique	13/18
Distance minimale de mise au point	0,49 m
Rapport de grossissement maximal	1:3,5 (at 270 mm)
Taille du filtre Ø	72 mm
Longueur	101 mm
Diamètre Ø	79,6 mm
Poids	550 g
Parasoleil d'objectif	AB003

• Les caractéristiques optiques et de design des objectifs présentés dans ce Manuel du propriétaire sont susceptibles d'être modifiées sans préavis.

FIXATION ET RETRAIT DE L'OBJECTIF

Comment fixer l'objectif

Retirez le bouchon arrière de l'objectif et alignez le repère de fixation ⑤ situé sur le fût avec le repère correspondant sur la baïonnette du boîtier et posez l'objectif sur l'appareil. Dans le cas d'un collier Nikon, faites pivoter l'objectif dans le sens contraire des aiguilles d'une montre jusqu'au cran de blocage de position. Dans le cas d'un collier Canon, faites pivoter l'objectif dans le sens des aiguilles d'une montre jusqu'au cran de blocage de position.

Comment ôter l'objectif

Appuyez sur le bouton de déverrouillage situé sur l'appareil photo. Dans le cas d'un collier Nikon, faites pivoter l'objectif dans le sens des aiguilles d'une montre jusqu'au cran de blocage de position. Dans le cas d'un collier Canon, faites pivoter l'objectif dans le sens contraire des aiguilles d'une montre jusqu'au cran de blocage de position.

• Pour plus de détails, veuillez consulter le Manuel d'instructions de votre appareil photographique.

MISE AU POINT (Mode Autofocus) (Voir fig. 1, 2 et 5)

Placez le sélecteur AF/MF ⑬ de l'objectif sur AF (Fig. 5). Si vous utilisez un appareil photo Nikon équipé d'une molette de sélection du mode de mise au point, veuillez d'abord régler le mode de mise au point sur S ou C puis basculer le commutateur AF (mise au point automatique) / MF (mise au point manuelle) ⑬ du côté de l'objectif sur le mode AF. Appuyez légèrement sur le déclencheur tout en visant à travers l'oculaire : l'objectif effectue la mise au point automatiquement. Un signal de mise au point s'allume lorsque le sujet principal est au point. Continuez d'appuyer sur le déclencheur pour prendre la photographie.

- En mode AF, évitez de manipuler la bague de mise au point ⑥, vous risquez d'endommager sérieusement le mécanisme de l'objectif.
- L'échelle des distances ⑦ est fournie à titre indicatif. La mise au point réelle peut légèrement différer de la distance indiquée sur l'indicateur des distances focales.

• Pour plus de détails, veuillez consulter le Manuel d'instructions de votre appareil photographique.

MISE AU POINT (Mode Manuel) (Voir fig. 1, 2 et 6)

Placez le sélecteur AF/MF ⑬ de l'objectif sur AF (Fig. 6). Si vous utilisez un appareil photo Nikon équipé d'une molette de sélection du mode de mise au point, veuillez d'abord régler le mode de mise au point sur M puis basculer le commutateur AF (mise au point automatique) / MF (mise au point manuelle) ⑬ du côté de l'objectif sur le mode MF. Faites la mise au point manuellement en tournant la bague de mise au point tout en regardant dans l'oculaire de visée. La mise au point ⑥ est obtenue quand la zone essentielle de l'image à photographier apparaît avec une très grande netteté dans l'oculaire de visée.

- Même en mode MF, si vous tournez la bague de mise au point ⑥ en appuyant légèrement sur le déclencheur, le repère d'aide à la mise au point s'allume quand l'image du sujet est nette.
- Assurez-vous qu'un sujet situé à l'infini apparaît avec netteté dans l'oculaire de visée lorsque l'image est au point, une certaine tolérance étant admise pour un réglage à l'infini afin de permettre une mise au point correcte pour une grande variété de conditions de prise de vue.
- Pour plus de détails, veuillez consulter le Manuel d'instructions de votre appareil photographique.

MÉCANISME VC (Voir fig. 1, 7 et 8))

La VC (Compensation des Vibrations) est un mécanisme permettant de réduire l'effet de flou des images lors des prises de vues manuelles. Il est possible de prendre des photos à une vitesse d'obturation de 4 pas en dessous de celle qui pourrait être généralement utilisée sans VC.

Basé sur des mesures réalisées selon les critères de notre société. Les effets de la correction de l'effet de flou peuvent également varier selon les conditions de prise de vue et la personne les effectuant.

Comment utiliser le mécanisme VC

La VC peut être utilisée en mode AF ou MF.

1) Activez la VC (2).

* Lorsque vous n'utilisez pas la VC, mettez le bouton en position OFF.

2) Enfoncez le bouton de déclenchement de l'obturateur jusqu'à mi-course pour vérifier l'effet de la VC.

Lorsque le bouton de déclenchement de l'obturateur est enfoncé jusqu'à mi-course, il s'écoule environ 1 seconde avant que la VC donne une image stable.

De par le principe de la VC, l'image du viseur peut vibrer après la pression jusqu'à mi-course du bouton de déclenchement de l'obturateur.

La VC est efficace lors de la prise de photos dans les conditions suivantes.

- Endroits sombres
- Lieux où l'utilisation d'un flash est interdite
- Situations où le photographe est en position instable
- Prise en rafale d'objets en mouvement

Les performances de la VC peuvent être altérées dans les cas suivants:

- Quand une photographie est prise sur le véhicule qui déplace violemment.
- Prise de vue avec mouvements brusques de l'appareil photo.
- Désactivez la VC lorsque vous prenez des photos en exposition prolongée. Si la VC est activée, cela peut entraîner des erreurs.

* Veuillez consulter « Précaution lors de l'utilisation de B003 » sur le feuillet fourni en annexe relatif aux précautions à prendre avec chaque collier.

- De par le principe de la VC, l'image du viseur peut vibrer aussitôt après la pression jusqu'à mi-course du bouton de déclenchement de l'obturateur mais il ne s'agit pas d'un dysfonctionnement.
- Comme la batterie de l'appareil est sollicitée lors d'une utilisation avec la VC en position ON, le nombre de clichés possibles diminue.
- Lors d'une utilisation avec la VC en position ON, un dé clic se fait entendre aussitôt après que le bouton de déclenchement de l'obturateur ait été enfoncé jusqu'à mi-course ou environ 2 secondes après que le doigt ait relâché sa pression sur celui-ci. Il s'agit du son produit par le fonctionnement du système de verrouillage de la VC et il ne s'agit pas d'un dysfonctionnement.
- Veuillez consulter « Précaution lors de l'utilisation de B003 avec Canon et Nikon » sur le feuillet fourni en annexe relatif aux précautions à prendre avec chaque collier.
- Comme la VC continue à fonctionner environ 2 secondes jusqu'à ce que le système de verrouillage s'enclenche après que le doigt ait relâché sa pression sur le bouton de déclenchement de l'obturateur.

- Si l'objectif est démonté de l'appareil alors que la fonction VC est activée, un clic peut se faire entendre si vous secouez l'objectif. Il ne s'agit pas d'un dysfonctionnement. Montez à nouveau l'objectif sur l'appareil et remettez-le en marche. Ces bruits devraient cesser.
- La VC fonctionne lorsque le déverrouillage est enfoncé jusqu'à mi-course. (Elle fonctionne pendant environ 2 secondes après que le doigt ait relâché sa pression sur le bouton de déclenchement de l'obturateur)
- La VC peut être utilisée en mode AF ou MF.

ZOOM (Voir fig. 1 et 2))

Faites pivoter la bague de zoom (9) de l'objectif en regardant dans le viseur et composez votre image à la distance focale souhaitée.

BOUTON DE VERROUILLAGE DU ZOOM (Voir figs. 1, 3 et 4))

Le B003 est équipé d'un nouveau bouton de blocage du zoom permettant d'éviter l'allongement du barillet d'objectif vers les longues distances focales sous l'effet de son propre poids lorsqu'il est porté pendu à l'épaule. Réglez la distance focale à 18mm et enfoncez le bouton de verrouillage pour empêcher le barillet d'objectif de tourner et de s'étirer.

Comment enclencher le verrouillage de blocage du zoom

- 1) Blocage : réglez la distance focale sur 18mm. Poussez le bouton (1) vers le boîtier de l'appareil jusqu'à ce que les repères soient alignés. Le barillet d'objectif est désormais bloqué et ne peut plus tourner ni s'étirer sous son propre poids.
- 2) Déblocage : Poussez le bouton vers l'avant de l'objectif. Le barillet peut maintenant tourner et s'étirer pour les réglages de distance focale.

- Verrouillage du zoom (1) ne peut être enclenché que si l'objectif est réglé sur la distance focale 18mm. N'essayez pas de forcer le bouton de blocage ou de faire tourner le barillet d'objectif quand le blocage est enclenché.
- Il est possible de prendre des photographies avec l'objectif réglé à 18mm même quand le blocage est enclenché.
- Le mécanisme de blocage du zoom est destiné à empêcher l'allongement du barillet d'objectif lorsque votre matériel est suspendu à l'épaule. L'objectif peut changer sa distance focale pendant une longue exposition si l'objectif est utilisé dans une position à angle faible ou élevé.

PARASOLEIL (Voir fig. 1, 9 - 10))

Un parasoleil de type « à baïonnette » fait partie des accessoires standard fournis. Il est recommandé d'effectuer chaque fois que possible les prises de vues avec le parasoleil, car celui-ci élimine les rayons parasites qui gâchent les photographies. Cependant, vous devez tenir compte des conseils de précautions indiqués ci-dessous si votre appareil comporte un flash incorporé.

Fixation du parasoleil (Voir fig. 9 et 10))

Alignez le de fixation du parasoleil (2) du parasoleil avec le repère correspondant (5) de l'objectif pour le mettre en place. Tournez le parasoleil, enfoncez-le légèrement sur l'objectif (fig. 9)) et faites-le ensuite pivoter dans le sens des aiguilles d'une montre (fig. 9)). Tournez-le jusqu'au dé clic de mise en place : le repère « TAMRON (O) » se retrouve sur le dessus (fig. 10)). Lors du montage du parasoleil, retenez les bagues de mise au point et de contrôle du zoom pour éviter qu'elles ne tournent.

- Veillez à bien aligner les repères de fixation du parasoleil lors de l'utilisation d'objectifs zoom à grand angle (grands angulaires à partir de 35 mm). Un parasoleil mal fixé sur un grand angulaire risque de produire de grandes zones sombres sur vos photographies.

Rangement du parasoleil (Voir fig. 11))

- 1) Retournez le parasoleil. Pointez l'objectif vers l'ouverture, alignez ensuite le repère de fixation du parasoleil situé sur l'objectif, avec le repère « TAMRON (O) » du parasoleil (3).
- 2) Pour le fixer, tournez le parasoleil dans le sens des aiguilles d'une montre jusqu'à ce que son repère d'alignement (*) se retrouve sur le dessus (fig. 11)).

PRÉCAUTIONS À LA PRISE DE VUE

- La conception des objectifs Di II tient compte des diverses caractéristiques des appareils photo reflex numériques. Cependant du fait de la configuration de ces appareils, même lorsque la mise au point en mode AF se fait conformément aux caractéristiques techniques, le point focal peut, lors de prises de vues en autofocus et sous certaines conditions, se trouver un petit peu au-delà ou en deçà du point optimum.
- Les cercles de l'image des lentilles Di II sont conçus pour les appareils photo numériques reflex à un objectif, à l'aide de capteurs d'images similaires aux APS-C (approx. 15,5x23,2mm). Ne pas utiliser les lentilles Di II avec les appareils photo avec des capteurs d'images supérieurs à APS-C. L'utilisation des lentilles Di II entraînera un effet de vignettage sur l'image.
- Les objectifs Tamron décrits ici, utilisent un système interne de mise au point (IF). De par la conception de cette optique, les angles de vue à des distances autres que l'infini sont plus ouverts que ceux des objectifs ayant des dispositifs de mise au point classiques.
- L'utilisation d'un flash incorporé sur un appareil peut produire des effets indésirables, par exemple une répartition lumineuse inégale du centre aux bords des photographies, en particulier avec les grands angles de prise de vue. Ce phénomène est dû aux limitations propres au flash incorporé qui ne peut répartir également la lumière, ainsi qu'à la position du flash par rapport au barillet de l'objectif qui crée des zones d'ombre. Il est donc fortement recommandé d'utiliser un modèle adapté de flash indépendant comme ceux que fournit le fabricant de votre appareil photographique pour les prises de vue au flash.
- Lorsque vous utilisez le téléobjectif, veillez à ne pas secouer l'appareil. Afin de réduire le flou de bougé de l'image, activez la fonction VC (Compensation de Vibrations). Afin de réduire les flous de bougé sans utiliser la fonction VC, priez de procéder comme suit. Pour éviter les tremblements des appareils photos numériques, utilisez un réglage ISO plus élevé. Pour les appareils à pellicule, utilisez un film de valeur ISO élevée pour atteindre une vitesse de déclenchement supérieure. L'utilisation d'un trépied ou d'un pied est également d'une grande aide. Lorsque vous tenez l'appareil dans vos mains pour prendre des photos, ne bougez pas et écarter légèrement les jambes, maintenez vos coudes contre votre poitrine et positionnez l'appareil contre votre visage. Si vous le pouvez, adossez-vous ou placez l'appareil sur un support. Lorsque vous tenez l'appareil dans les mains, retenez votre respiration tout en appuyant doucement mais fermement sur le déclencheur.
- En mode AF, évitez de manipuler la bague de mise au point, vous risquez d'endommager sérieusement le mécanisme de l'objectif.
- Certains modèles d'appareils donnent des valeurs approchées des ouvertures maximale et minimale des objectifs. Il s'agit là d'une caractéristique propre à la conception de l'appareil et non d'une erreur.
- Veillez noter qu'il n'existe pas d'échelle d'infrarouge pour les modèles figurant dans ce Mode d'Emploi et qu'il n'est donc pratiquement pas possible d'utiliser une pellicule infrarouge noir et blanc avec ces objectifs.
- En cas d'utilisation d'un filtre spécial tel qu'un polarisant, utilisez des filtres minces. L'épaisseur d'un filtre normal peut provoquer le vignettage.

POUR UNE UTILISATION PROLONGÉE SANS PROBLÈMES

- Évitez de toucher la surface des lentilles. Pour enlever une poussière, servez-vous d'un chiffon optique ou soufflez sur la surface de la lentille. Entre deux utilisations, protégez toujours votre objectif avec son bouchon.
- Utilisez un chiffon optique ou un chiffon doux avec une goutte de solution de nettoyage optique pour enlever les empreintes de doigts ou les taches à la surface de l'objectif. Frottez en suivant un mouvement concentrique depuis le centre jusqu'au bord.
- N'utilisez un chiffon siliconé que pour nettoyer le barillet de l'objectif.
- Les optiques sont très sensibles aux moisissures. Nettoyez votre objectif après une utilisation à proximité de l'eau ou dans un endroit humide. Conservez vos objectifs dans un endroit propre, frais et sec. Si vous les conservez dans un étui, placez-y un produit desséchant vendu dans le commerce, un silicagel par exemple, que vous renouvelerez de temps en temps. Si une moisissure se forme sur votre objectif, adressez-vous à un atelier ou un revendeur de matériel photographique.
- Ne touchez pas les anneaux de contact entre objectif et boîtier, car des saletés ou des taches risqueraient de détériorer le contact entre ces éléments.
- Si vous utilisez votre matériel photographique (boîtier(s) et objectif(s)) dans un milieu sujet à de fortes variations de température, veillez à placer temporairement votre matériel dans une sacoche ou un sac en plastique pour lui éviter toute variation brusque de température et d'éventuelles déformations.

Gracias por comprar el objetivo Tamron para actualizar su equipo fotográfico. Antes de usar este nuevo objetivo, rogamos lea atentamente el contenido de este Manual, para familiarizarse con el objetivo y las técnicas fotográficas apropiadas y así obtener imágenes con la mejor calidad posible. Con el cuidado y manejo adecuados, podrá utilizar el objetivo Tamron durante muchos años para captar bellas y excitantes imágenes.

• Describe las precauciones necesarias que debe tomar para evitar posibles problemas.

• Describe los puntos que debe tener en cuenta además de las funciones básicas.

INDICE (Ver Fig. 1, si no se especifica)

- ① Parasol del objetivo
- ② Marca de alineación de acoplamiento del parasol
- ③ Indicador de parasol acopiado
- ④ Aro del filtro
- ⑤ Anillo bayoneta del parasol
- ⑥ Anillo de ajuste para enfoque manual
- ⑦ Escala de distancia
- ⑧ Indicador de distancia
- ⑨ Anillo del Zoom
- ⑩ Escala de distancia focal
- ⑪ Bloqueo de anillo del zoom (Figs. 13 y 14)
- ⑫ Botón VC
- ⑬ Selector AF/MF (Figs. 15 y 16)
- ⑭ Marca de índice del zoom
- ⑮ Marca de acoplamiento del objetivo
- ⑯ Montura del objetivo / Contactos de la montura del objetivo

DATOS TÉCNICOS

	B003
Distancia focal	18-270 mm
Apertura máxima	F/3,5-6,3
Ángulo de visión	75°33' - 5°55'
Grupos/Elementos	13/18
Distancia de enfoque	0,49 m
Relación de ampliación máxima	1:3,5 (con 270mm)
Tamaño del filtro \varnothing	72 mm
Longitud	101 mm
Diámetro \varnothing	79,6 mm
Peso	550 g
Parasol	AB003

• Las características y diseños de los objetivos listados en este manual, pueden ser revisados sin previo aviso.

COLOCACIÓN Y DESMONTAJE DEL OBJETIVO

■ Cómo colocar el objetivo

Desmontar la tapa posterior del objetivo. Alinear la marca de acoplamiento ⑮ del cuerpo del objetivo con la marca en la montura del objetivo de la cámara e inserte el objetivo. Con una montura Nikon, gire el objetivo en el sentido contrario al de las agujas del reloj hasta que haga clic en la posición de bloqueo. Con una montura Canon, gire el objetivo en el sentido de las agujas del reloj hasta que haga clic en la posición de bloqueo.

■ Cómo desmontar el objetivo

Presione hacia abajo el botón de desmontaje del objetivo de la cámara. Con una montura Nikon, gire el objetivo en el sentido de las agujas del reloj hasta que haga clic en la posición de bloqueo. Con una montura Canon, gire el objetivo en el sentido contrario al de las agujas del reloj hasta que haga clic en la posición de bloqueo.

• Para más detalles, rogamos lea el manual de instrucciones de la cámara.

ENFOQUE (Enfoque automático) (Ver Figs. 1, 2 y 15)

Coloque el selector AF/MF ⑬ del objetivo en la posición AF (Fig. 15). Si utiliza una cámara Nikon que posee dial de selección de modo de enfoque, configure primero el modo de enfoque en "S" o "C" y luego seleccione el modo "AF" en el botón de cambio de AF/MF ⑬ ubicado del lado de la lente. Pulsar ligeramente el disparador mientras se mira a través del visor, el objetivo enfoca automáticamente. Se encenderá una marca de enfoque cuando el objetivo enfoque el sujeto principal. Oprimir el disparador hasta el fondo para realizar la fotografía.

• Cuando la cámara está en el modo AF, si se pulsa el anillo de enfoque ⑥ puede provocar graves daños al mecanismo del objetivo.

• La escala de distancia ⑦ se marcará con fines orientativos. El punto de enfoque exacto puede variar ligeramente de la distancia marcada en el indicador de distancia focal.

• Para más detalles, rogamos lea el manual de instrucciones de la cámara.

ENFOQUE (Enfoque manual) (Ver Fig. 1, 2 y 16)

Coloque el selector AF/MF ⑬ del objetivo en la posición MF (Fig. 16). Si utiliza una cámara Nikon que posee dial de selección de modo de enfoque, configure primero el modo de enfoque en "M" y luego seleccione el modo "MF" en el botón de cambio de AF/MF ⑬ ubicado del lado de la lente. Enfocar nitidamente con el anillo de enfoque, mientras mira a través del visor de la cámara. La imagen del sujeto principal en el visor será nítida en la pantalla del visor, cuando el objetivo esté enfocado óptimamente.

• Incluso si se elige el enfoque manual, se ilumina la lámpara de la función ayuda del ajuste de enfoque, en cuanto el sujeto está enfocado nitidamente, cuando el anillo de enfoque ⑥ se gira y mientras tanto se pulsa el autodesparador levemente.

• Asegúrese de que el sujeto en el ajuste infinito aparece nítido cuando está enfocado en el visor, ya que la posición infinito está indicada con cierta tolerancia para asegurar un enfoque correcto bajo una gran variedad de condiciones fotográficas.

• Para más detalles, rogamos lea el manual de instrucciones de la cámara.

MECANISMO VC (Ver Figs. 1, 7 y 8)

La VC (Compensación de Vibraciones/Estabilización de imagen) es un mecanismo que logra que las imágenes aparezcan menos desenfocadas a la hora de realizar fotografías manuales. Comparado con el enfoque, en el cual no se utiliza la VC, se pueden realizar fotografías a una velocidad del obturador de un máximo de 4 pasos menos de los que podría utilizar normalmente.

*Según una medición basada en los estándares de nuestra empresa. Los resultados de la compensación de movimientos varían según las condiciones de fotografiado.

■ Cómo utilizar el mecanismo VC

La VC se puede usar en modo AF o MF.

1) Active la VC :2.

*Cuando no vaya a utilizar la VC, desactívela.

2) Pulse el botón de disparo del obturador hasta la mitad de su recorrido para comprobar el efecto de la VC.

Cuando se pulsa el botón de disparo del obturador hasta la mitad de su recorrido, transcurre aproximadamente 1 segundo hasta que la VC proporciona una imagen estable.

Si se pulsa el botón de disparo hasta la mitad de su recorrido, debido al mecanismo VC, puede haber movimientos en el visor.

■ La VC solo resulta eficaz para realizar fotografías manuales en las siguientes condiciones.

- Lugares con escasa iluminación
- Escenas en las que está prohibido el uso de flash
- Situaciones en las que el fotógrafo puede perder la estabilidad
- Serie rápida de fotografías de objetos en movimiento

■ La VC puede no tener una efectividad completa en los siguientes casos:

- Cuando una fotografía se toma desde el vehículo que se mueve con intensidad.
- Disparo cuando hay un movimiento excesivo de la cámara.
- Desactive la VC a la hora de realizar fotografías con exposiciones prolongadas. Si la VC está activada, puede presentar errores.

*Consulte "Precauciones al usar el B003" en la hoja adjunta para más información sobre las precauciones de cada montura.

• Después de pulsar el botón de disparo hasta la mitad del recorrido puede haber movimientos en el visor. Esto es debido al principio del mecanismo VC y no es un fallo de funcionamiento.

• Si se activa la VC, el número de fotografías posibles disminuye debido a que la energía necesaria para la VC es enviada desde la cámara.

• Cuando usa la VC en ON, en cuanto presiona el botón de disparo hasta la mitad de su recorrido, y aproximadamente 2 segundos después de retirar su dedo del botón de disparo, se escuchará un "click". Este es un ruido de activación del mecanismo de cierre de la VC, y no es un defecto.

• Desactive el interruptor VC cuando utilice el trípode.

• Al retirar su dedo del botón de disparo del obturador, y hasta que el mecanismo de cierre se activa, durante aproximadamente 2 segundos la VC estará activada.

• Cuando se extrae el objetivo de la cámara mientras VC está activado, puede escucharse un clic al mover el objetivo. Esto no supone un funcionamiento incorrecto. Monite el objetivo sobre la cámara y conecte la cámara. El sonido desaparecerá.

• Mientras presiona el botón de disparo hasta la mitad de su recorrido, la VC está en funcionamiento. (también estará en funcionamiento durante los siguientes dos segundos después de retirar el dedo del botón de disparo).

• La VC se puede usar en modo AF o MF.

ZOOM (Ver Fig. 1 & 2)

Girar el anillo del zoom :9 del objetivo mientras se mira a través del visor de la cámara y enfoque la imagen con la distancia focal correcta.

SELECTOR PARA BLOQUEO DEL ZOOM (Ver Figs. 1, 3 & 4)

Los modelos B003 están provistos de un selector para bloqueo del zoom, de reciente desarrollo, un mecanismo que evita que los objetivos se extiendan por su propio peso, cuando se llevan colgados del hombro. Este mecanismo se puede activar en la posición de 18mm para evitar que los cuerpos de los objetivos giren y se extiendan.

■ Cómo activar el mecanismo de bloqueo del zoom

- 1) Bloqueo: Colocar el objetivo en la posición 18mm. Mover el selector :11 hacia la cámara hasta que las líneas de índice se alineen entre sí. El cuerpo del objetivo está bloqueado en esta posición y no puede girarse o extenderse por su propio peso.
- 2) Desbloqueo: Empujar el interruptor separándolo de la cámara. El cuerpo del objetivo queda liberado ya para girar y extenderse para el zoom.

• El bloqueo del zoom :11 no se puede activar a menos que el objetivo esté colocado en la posición 18mm. No fuerce el interruptor de bloqueo ni intente girar el cuerpo del objetivo mientras está bloqueado.

• El objetivo se puede usar en la posición 18mm para tomar fotos aun cuando esté activado el bloqueo zoom.

• El mecanismo de bloqueo del zoom está diseñado para evitar que el objetivo se extienda cuando se lleva sobre el hombro. La distancia focal del objetivo puede cambiar durante una exposición larga si el objetivo se utiliza en una posición de ángulo grande o pequeño.

PARASOL (Ver Figs. 1, 9 - 11)

Como accesorio estándar se suministra un parasol tipo bayoneta. Recomendamos tomar las fotos, siempre que sea posible, con el parasol colocado ya que el parasol elimina la luz parásita que es molesta para la imagen. No obstante, rogamos tome conciencia de las precauciones descritas a continuación cuando la cámara está provista de un flash incorporado.

■ Colocación del parasol (Ver Figs. 19 y 10)

Alinear la marca de alineación de acoplamiento del parasol :2 en el parasol con la marca de índice :5 correspondiente en el objetivo y unir las deslizando. Girar y presionar el parasol de forma uniforme sobre el objetivo (Fig. :9) y luego girarlo a la derecha (Fig. 19). Gírelo hasta que la marca "TAMRON O" quede en la parte superior (Fig. 10), y haga clic. Durante este procedimiento sujete el anillo de enfoque y de zoom para evitar giros no deseados.

• Poner especial atención a alinear las marcas de ajuste del acoplamiento del parasol cuando se utilizan objetivos zoom gran angulares (p.ej. 35 mm o mayores). La colocación inadecuada de un parasol en un objetivo zoom gran angular puede producir grandes áreas de sombra en las imágenes.

■ Cómo guardar el parasol (Ver Fig. 11)

1) Invertir el parasol y coloque este en sentido contrario en la bayoneta del parasol en la lente frontal. Alinee la marca de acoplamiento del parasol en el objetivo con la marca de alineación (TAMRON O) en el parasol :3.

2) Girar el parasol hacia la derecha hasta que la marca de alineación (*) quede en la parte superior. (Fig. 11)

PRECAUCIONES CON LA EXPOSICIÓN

• En el diseño óptico del Di II se tuvo en cuenta las distintas características de las cámaras reflex digitales. Sin embargo, debido a la configuración de estas cámaras SLR digitales, aún cuando la precisión de enfoque automático (AF) cumple con las especificaciones, es posible que el punto de enfoque se encuentre por delante o por detrás respecto del punto óptimo cuando se captan tomas con enfoque automático en determinadas condiciones.

• Los círculos de la imagen de las lentes Di II están diseñados para que combinen con las cámaras digitales SLR que utilizan sensores de imagen equivalentes al tamaño APS-C (approx. 15,5x23,2mm). No utilice lentes Di II con cámaras equipadas con sensores de mayor tamaño; de lo contrario, se podría producir un efecto de viñeteado en la imagen.

• Los objetivos Tamron que aquí se describen utilizan un sistema de enfoque interno (IF). Debido a las características de este diseño óptico, en todos los ajustes, menos en "infinito" el ángulo de visión es más amplio que en los objetivos convencionales.

• Cuando se utiliza el flash incorporado de la cámara, se pueden observar fenómenos fotográficos adversos como falta de iluminación en los ángulos, o sombreados en la parte inferior de la imagen, especialmente en las posiciones gran angular. Esto se debe a la limitación intrínseca de cobertura del flash incorporado, y/o a la posición relativa del flash respecto al objetivo, que produce sombras en la imagen. Para todas las fotografías con flash, se recomienda encarecidamente usar un flash adicional adecuado, suministrado por el fabricante de la cámara.

Para más detalles, rogamos lea el capítulo "flash incorporado" del manual de instrucciones de la cámara.

• Cuando se utiliza el objetivo en tele, debe evitar el movimiento de la cámara.

Para reducir la distorsión de la imagen, active la función VC (Compensación de Vibraciones/Estabilización de Imagen).

Para reducir la distorsión de la imagen sin utilizar la función VC, lleve a cabo los siguientes pasos. Para evitar la vibración en la cámara, utilice en las cámaras digitales, un ajuste ISO superior y en el caso de las cámaras de película, utilice la película con número ISO superior para conseguir una velocidad de obturación más corta. También se recomienda el uso de un trípode o un monopie.

Cuando fotografíe cámara en mano, separe un poco las piernas, apoye los codos firmemente contra el pecho y apoye la cámara hacia la cara sin realizar movimientos. Si es posible, apoyese en un lugar firme o coloque la cámara sobre algún lugar firme para asegurar la toma. Conservará mejor la posición si contiene la respiración cuando presiona el obturador con suavidad y firmeza.

• Si la cámara está en el modo AF, si toca el anillo de enfoque, puede provocar graves daños al mecanismo del objetivo.

• Determinados modelos de cámaras pueden indicar los valores de apertura máxima y mínima del objetivo en valores aproximados. Esto es parte del concepto de la cámara y no una indicación de error en el objetivo.

• Tenga en cuenta de que no hay una línea de índice infrarroja en los modelos listados en este manual de instrucciones y, por lo tanto, en la práctica, no se puede usar película blanco y negro infrarroja con estos objetivos.

• Cuando desee utilizar un filtro especial, como un filtro PL, opte por un filtro de bajo perfil. El borde grueso de los filtros normales podría causar un efecto de viñeteado en la imagen.

INDICACIONES DE LIMPIEZA Y CUIDADOS

• Evitar tocar la superficie de las lentes. Usar una gamuza para lentes o un pincel para quitar el polvo de la superficie del vidrio. Cuando no se utilice el objetivo, colocar siempre las tapas de protección.

• Usar siempre una gamuza limpiantes o un trapo que no deje pelusa, con una gota de producto limpiador, para eliminar las huellas o suciedad de la superficie del objetivo, efectuando un movimiento de rotación desde el centro hacia el borde.

• Para limpiar el objetivo, usar solamente una gamuza de silicona.

• El moño es un enemigo del objetivo. Limpiar el objetivo después de fotografiar cerca del agua o en lugares húmedos. Guardar el objetivo en un lugar limpio, fresco y seco. Cuando se guarde el objetivo en un estuche, conservarlo con un producto desecante como silicagel, y cambiar el producto de vez en cuando. Si se encuentra moño en el objetivo, consultar con un Servicio Técnico Autorizado o establecimiento fotográfico próximo.

• No tocar la superficie de contactos entre el objetivo y la cámara ya que el polvo, suciedad y/o manchas pueden producir un fallo de contactos entre el objetivo y la cámara.

• Cuando se utilice el equipo (cámara(s) y objetivo(s)) en un ambiente en el que la temperatura cambie de un extremo a otro, asegúrese de colocar el equipo en un estuche o bolsa de plástico durante un tiempo, para que el mismo cambie de temperatura de forma gradual. Esto reducirá los problemas potenciales del equipo.

grazie per avere scelto un obiettivo Tamron. Prima di utilizzare il vostro nuovo obiettivo, Vi consigliamo di leggere questo libretto di istruzioni con la massima attenzione. Una migliore conoscenza dell'obiettivo e delle tecniche fotografiche, infatti, Vi permetterà di ottenere immagini di eccellente qualità. Se usato e trattato con la dovuta cura, l'obiettivo Tamron vi garantirà anni di splendide fotografie

- Precauzioni utili per prevenire eventuali problemi
- Informazioni aggiuntive oltre alle operazioni fondamentali.

IDENTIFICAZIONE DELLE PARTI

(Fate riferimento alla fig. 11, se non altrimenti specificato)

- 1 Paraluce
- 2 Riferimento per il montaggio del paraluce
- 3 Indicatore per il bloccaggio del paraluce
- 4 Anello filtro
- 5 Attacco paraluce a baionetta
- 6 Ghiera di messa a fuoco
- 7 Misura delle distanze
- 8 Indice delle distanze
- 9 Ghiera dello zoom
- 10 Scala delle lunghezze focali
- 11 Interruttore di blocco dello zoom (Figg. 13 e 14)
- 12 Pulsante VC (Compensazione delle Vibrazioni)
- 13 Commutatore AF/MF (Figg. 15 e 16)
- 14 Indice zoom
- 15 Riferimento per il montaggio dell'obiettivo
- 16 Attacco obiettivo/contatti attacco obiettivo

SPECIFICHE

	B003
Lunghezza focale	18-270 mm
Massima apertura	F/3.5-6.3
Angolo di campo	75°33' - 5°55'
Configurazione ottica	13/18
Distanza min. messa a fuoco	0,49 m
Max. rapporto ingrandimento	1:3,5 (at 270mm)
Diametro Filtro ϕ	72 mm
Lunghezza	101 mm
Diametro ϕ	79,6 mm
Peso	550 g
Paraluce	AB003

- Le caratteristiche tecniche ed estetiche indicate nel libretto di istruzioni possono subire a modifiche senza alcun preavviso.

MONTARE E SMONTARE L'OBIETTIVO

Come montare l'obiettivo

Dopo aver tolto il coperchio posteriore dell'obiettivo, allineate il riferimento per il montaggio 2 che si trova sul cilindro dell'obiettivo con la sua controparte posizionata sull'attacco della fotocamera, quindi inserire l'obiettivo.

Nel caso di montaggio con obiettivo Nikon, ruotare l'obiettivo in senso antiorario finché scatta in posizione di bloccaggio. Nel caso di montaggio con obiettivo Canon, ruotare l'obiettivo in senso orario finché scatta in posizione di bloccaggio.

Come smontare l'obiettivo

Premere il pulsante di disinnesto sulla fotocamera.

Nel caso di montaggio con obiettivo Nikon, ruotare l'obiettivo in senso orario finché scatta in posizione di bloccaggio. Nel caso di montaggio con obiettivo Canon, ruotare l'obiettivo in senso antiorario finché scatta in posizione di bloccaggio.

- Per maggiori dettagli, consultate le istruzioni della Vostra fotocamera.

MESSA A FUOCO AUTOMATICA (Autofocus) (Rif. Figg. 10, 21 e 15)

Spostate il commutatore AF/MF 13, dell'obiettivo su AF (Fig. 15). Qualora utilizzate una fotocamera Nikon dotata di ghiera per la selezione della modalità di messa a fuoco, impostate quest'ultima su S o C e, successivamente, portate il selettore AF/MF 13 dell'obiettivo nella modalità AF. Premete parzialmente il pulsante di scatto guardando nel mirino: l'obiettivo effettuerà la messa a fuoco automaticamente e una spia luminosa si accenderà quando il soggetto principale apparirà nitido. Premete a fondo il pulsante di scatto per fotografare.

- Durante l'utilizzo nella modalità AF, interferire con la ghiera di messa a fuoco 6, potrebbe danneggiare seriamente il meccanismo dell'obiettivo.
- La gradazione di distanza 7 è indicata al fine di guida. Il punto effettivo della messa a fuoco potrebbe differire leggermente dalla distanza indicata sull'indice della lunghezza della messa a fuoco.

- Per maggiori dettagli, consultate le istruzioni della Vostra fotocamera.

MESSA A FUOCO MANUALE (Rif. Figg. 11, 21 e 16)

Spostate il commutatore AF/MF 13, dell'obiettivo su MF (Fig. 16). Qualora utilizzate una fotocamera Nikon dotata di ghiera per la selezione della modalità di messa a fuoco, impostate quest'ultima su M e, successivamente, portate il selettore AF/MF 13 dell'obiettivo nella modalità MF. Osservate il soggetto nel mirino della fotocamera e mettete a fuoco manualmente ruotando l'annuale ghiera finché il soggetto non apparirà perfettamente nitido.

- Anche se nella modalità MF, ruotare la ghiera di messa a fuoco 6 mentre si preme a metà il tasto di scatto può fare sì che la spia luminosa di messa a fuoco si accenda quando il soggetto è nitido.
- Controllate che il soggetto all'infinito appaia nitido nel mirino quando a fuoco. La modalità "infinito" offre infatti alcune tolleranze che consentono una corretta messa a fuoco in varie situazioni di scatto.
- Per maggiori dettagli, consultate le istruzioni della Vostra fotocamera.

MECCANISMO VC (Rif. Figg. 11, 17 e 18)

La VC (Compensazione delle Vibrazioni) è un meccanismo che riduce le sfocature delle immagini nelle fotografie manuali. Permette di effettuare scatti con una velocità dell'otturatore al massimo 4 volte più lenta rispetto a quando non la si utilizza.

*Secondo misurazioni basate sui criteri della ditta. I risultati della compensazione, inoltre, possono variare in base alle condizioni di scatto e all'operatore.

Come usare il meccanismo VC

La VC si può usare nella modalità AF o MF.

1) Attivate la VC 12.

*Disattivare la VC quando non la si usa.

2) Premete leggermente il pulsante di scatto per verificare l'effetto della VC.

Quando si preme il pulsante di scatto fino a metà, è necessario circa 1 secondo prima che la VC fornisca un'immagine stabile.

Per cause dovute alle modalità di funzionamento della VC, dopo che si è premuto a metà il pulsante di scatto è possibile che l'immagine nel mirino risulti instabile.

La VC è efficace per fare fotografie manuali nelle seguenti condizioni.

- Luoghi con scarsa illuminazione
- Luoghi in cui è vietato l'uso del flash
- Condizioni di equilibrio precario
- Sequenza di fotografie di oggetti in movimento

La VC può non essere del tutto efficace nei casi seguenti:

- Scatti realizzati su veicoli in rapido movimento
- Scatto durante eccessivo movimento della fotocamera.
- Per fare fotografie con esposizioni prolungate, disattivate la VC. Se attivata, la VC può non funzionare correttamente.

*Consultare "Misure di cautela per l'uso dell'8003" su un foglio separato fornito in dotazione con le misure di cautela per ogni montaggio.

- Per cause dovute alle modalità di funzionamento della VC, dopo che si è premuto a metà il pulsante di scatto è possibile che l'immagine nel mirino risulti instabile ma ciò non costituisce malfunzionamento.
- Quando attivata, la VC consuma l'alimentazione della macchina fotografica e per questo diminuisce il numero di fotografie che si possono scattare.
- Qualora si utilizzi la fotocamera con la VC attivata, subito dopo avere premuto a metà il pulsante di scatto oppure circa 2 secondi dopo averlo rilasciato sentirete un "click". Questo rumore, tuttavia, è dovuto all'attivazione del meccanismo di bloccaggio della VC e non costituisce malfunzionamento.
- Quando si utilizza il cavalletto impostare il pulsante VD su OFF.
- Anche se si è rilasciato il pulsante di scatto, l'attivazione del meccanismo di bloccaggio richiederà circa 2 secondi durante i quali la VC rimane accesa.
- Quando un obiettivo viene rimosso dalla fotocamera quando la VC è attivata, potrete avvertire un rumore proveniente dall'obiettivo se scosso. Ciò, tuttavia, non costituisce malfunzionamento. Il rumore scomparirà quando, con la fotocamera accesa, l'obiettivo sarà montato.
- La VC si attiva premendo leggermente il pulsante di scatto e rimane attivata per circa 2 secondi dopo che lo si è rilasciato.
- La VC si può usare nella modalità AF o MF.

USO DELLO ZOOM (Rif. Figg. 11 e 2)

Ruotare la ghiera dello zoom 9 dell'obiettivo mentre si guarda attraverso il mirino della fotocamera per impostare l'immagine alla lunghezza focale desiderata.

INTERRUTTORE DI BLOCCO DELLO ZOOM (Rif. Figg. 11, 13 e 14)

Il meccanismo di blocco dello zoom permette di evitare che il barilotto dell'obiettivo si allunghi accidentalmente per il suo stesso peso durante il trasporto a spalla. Per non correre questo rischio, bloccate l'obiettivo in posizione 18mm.

Attivazione del meccanismo di blocco dello zoom

- 1) Blocco: portate l'obiettivo in posizione 18mm. Spostate l'interruttore 11 verso la fotocamera finché le linee indicatrici non risulteranno allineate. In questo modo il barilotto verrà bloccato.
- 2) Sblocco: spostate l'interruttore nella direzione opposta alla fotocamera. In questo modo il barilotto potrà essere regolato per lo zoom.

- L'interruttore di blocco dello zoom 11 non può essere attivato se l'obiettivo non è impostato sulla focale a 18mm. Non forzate l'interruttore di blocco e non cercate di ruotare il barilotto dell'obiettivo quando è bloccato.
- Anche se bloccato, l'obiettivo può comunque essere usato per fotografare con la focale di 18mm.
- Il meccanismo di blocco dello zoom serve ad evitare estensioni accidentali del barilotto dell'obiettivo durante il trasporto. L'obiettivo potrebbe cambiare la sua distanza focale durante un'esposizione prolungata se viene utilizzato con angoli di ripresa ridotti o elevati.

PARALUCE (Rif. Figg. 11, 9 - 10)

Un paraluce a baionetta viene fornito in dotazione come accessorio standard. Quando possibile, si consiglia di fotografare con il paraluce montato per eliminare il rischio che eventuale luce parassita possa rovinare l'immagine. Se la Vostra fotocamera è dotata di flash incorporato, osservate le precauzioni riportate di seguito.

Montaggio del paraluce (Rif. Figg. 9 e 10)

Allineare il Riferimento per il montaggio del paraluce 2 sul paraluce con il corrispondente segno 5 sull'obiettivo (o con l'indicatore della scala delle distanze). Premete leggermente il paraluce sull'attacco a baionetta (Fig. 9) e ruotatelo in senso orario per fissarlo. Quando il paraluce è ben fissato, in alto apparirà la scritta "TAMRON O" (Fig. 10). Quando montate il paraluce, tenete ben ferme la ghiera di messa a fuoco e quella dello zoom per impedire rotazioni accidentali.

- Fate attenzione che i riferimenti di montaggio del paraluce coincidano perfettamente quando utilizzate zoom con lunghezze focali grandangolari (ad esempio di 35mm o più). Un improprio montaggio del paraluce con obiettivi zoom grandangolari potrebbe causare vaste zone in ombra nelle vostre immagini.

Come riporre il paraluce (Rif. Fig. 11)

- 1) Potete riporre il paraluce fissandolo al contrario sull'obiettivo. Puntate l'apertura verso l'obiettivo e allineate l'indicatore per il bloccaggio con l'indicatore (TAMRON O) sul paraluce 3.
- 2) Ruotate il paraluce in senso orario finché il segno indicatore (•) non sarà visibile in alto (Fig. 11).

PRECAUZIONI PER FOTOGRAFARE

La progettazione dello schema ottico per Di II tiene conto delle caratteristiche delle fotocamere digitali reflex. Per configurazione, tuttavia, scattando in autofocus in determinate condizioni, il punto focale può risultare leggermente spostato in avanti o indietro rispetto al punto ottimale anche quando la precisione della messa a fuoco automatica corrisponde alle specifiche.

L'immagine dei cerchi nelle lenti Di II è simile a quella delle fotocamere reflex (SLR) utilizzando i sensori per l'immagine equivalenti nell'APS-C (approx. 15,5x23,2mm). Non utilizzare lenti Di II con fotocamere dotate di sensori di dimensioni superiori all'APS-C. L'utilizzo di lenti Di II in tali fotocamere potrebbe causare la vignettatura dell'immagine.

Gli obiettivi Tamron qui descritti utilizzano un sistema di messa a fuoco interna (IF). Per le caratteristiche di questa configurazione ottica, gli angoli di campo a distanze diverse dall'infinito sono maggiori rispetto a quelli di obiettivi che utilizzano sistemi di messa a fuoco convenzionali.

Con il flash incorporato attivato, si potrebbero verificare effetti indesiderati quali ridotta luminosità negli angoli o vignettature alla base dell'immagine, soprattutto con distanze focali grandangolari. Ciò è dovuto alla limitata copertura del flash incorporato e/o alla posizione del flash rispetto al barilotto dell'obiettivo, che proietta un'ombra sull'immagine. Per gli scatti con flash si consiglia perciò di usare un flash separato del tipo e modello consigliato dal fabbricante della fotocamera.

Per ulteriori dettagli, consultate il paragrafo "Flash incorporato" del manuale di istruzioni della Vostra fotocamera.

- Utilizzando l'obiettivo con lunghe distanze focali occorre fare attenzione per evitare le vibrazioni della fotocamera. Per ridurre la distorsione dell'immagine, attivate la funzione VC (Compensazione delle Vibrazioni). Per ridurre la distorsione dell'immagine senza usare la funzione VC, procedere come segue. Per evitare il tremolio con fotocamere digitali, utilizzate un'impostazione ISO maggiore; con fotocamere tradizionali, utilizzate pellicole con valori ISO elevati per ottenere una maggiore velocità dell'otturatore. Anche un treppiede o un monopiede può essere utile. Quando la fotocamera viene impiegata senza sostegno, adottare una posizione stabile a gambe leggermente divaricate, mantenendo i gomiti vicino al corpo e la fotocamera ben poggiata contro il viso. Se possibile, appoggiare il corpo ad un sostegno solido o appoggiare la fotocamera su una superficie ben ferma, per mantenere una posa più stabile. Se la fotocamera viene tenuta in mano, si ottiene una posa più ferma trattenendo il respiro al momento della pressione del pulsante di scatto, che deve avvenire in modo delicato ma sicuro.
- Quando si opera nella modalità AF, interferire con l'anello di messa a fuoco potrebbe causare seri danni al meccanismo dell'obiettivo.
- Alcuni modelli di fotocamere possono riportare valori diversi di apertura massima e minima. Ciò è dovuto al sistema adottato da ciascuna fotocamera e non è un errore.
- I modelli elencati in questo libretto di istruzioni non sono dotati di riferimenti per fotografie agli infrarossi e perciò con questi obiettivi non è possibile utilizzare pellicole in bianco e nero agli infrarossi.
- Quando si usa un filtro speciale, ad esempio il filtro PL, si consiglia di usare prodotti sottili. Un filtro con bordo spesso, infatti, potrebbe causare la vignettatura dell'immagine.

PER ASSICURARE LUNGA DURATA AL VOSTRO OBIETTIVO

- Evitate di toccare gli elementi ottici dell'obiettivo con le dita: spolverate le superfici con panni speciali od apposite pompette. Quando non usate l'obiettivo, proteggerlo sempre con il coperchietto in dotazione.
- Per eliminare dalle superfici ottiche dell'obiettivo l'eventuale presenza di sporco o impronte, usate le cartine speciali per la pulizia degli obiettivi o un panno di cotone inumidito con una goccia di detergente. Pulite con un movimento rotatorio dal centro ai bordi.
- Usate panni al silicio solo per pulire il barilotto.
- La muffa è nemica dell'obiettivo. Dopo aver fotografato vicino all'acqua o in ambienti umidi, pulite perciò accuratamente il Vostro obiettivo. Riponetelo inoltre sempre in un ambiente pulito, fresco ed asciutto. Qualora rilevaste tracce di muffa sull'obiettivo, rivolgetevi immediatamente ad un Centro Assistenza autorizzato o al vostro rivenditore di fiducia.
- Non toccate i contatti d'interfaccia fotocamera-obiettivo, perché la presenza di polvere, sporco o macchie potrebbe compromettere la trasmissione dei segnali tra obiettivo e fotocamera.
- Se utilizzate fotocamera o obiettivo in ambienti soggetti a brusche variazioni di temperatura, inserite temporaneamente l'apparecchiatura in un sacchetto di plastica e lasciate che raggiunga gradatamente la temperatura ambiente prima di estrarla. In questo modo ridurrete il rischio di eventuali danneggiamenti.

Obrigado por ter escolhido a objectiva Tamron como a mais recente actualização do seu equipamento fotográfico. Antes de utilizar a sua objectiva, por favor leia atentamente este Manual do Utilizador para se familiarizar com ela e com as técnicas fotográficas correctas para criar imagens da mais alta qualidade possível. Se manuseada correcta e cuidadosamente, a sua objectiva Tamron proporcionará-lhe à belas e excelentes imagens, durante muitos anos.

• Explicações sobre algumas precauções que devem ser tomadas para prevenir problemas.

• Explicações sobre algumas coisas que você deve saber em adição às operações básicas.

NOMENCLATURA (Veja Fig. 1, se não especificado)

- 1) Pára-sol da objectiva
- 2) Marca de alinhamento para montagem de pára-sol
- 3) Indicador ligado à capa
- 4) Anel de filtro
- 5) Anel de baioneta para montagem de pára-sol
- 6) Anel de focagem
- 7) Escala de distância
- 8) Indicador de distância
- 9) Anel de zoom
- 10) Escala de distância focal
- 11) Botão para travagem de anel de zoom (Figs. 31 & 41)
- 12) Botão VC
- 13) AF/MF botão de mudança (Figs. 151 e 161)
- 14) Marca de indicador de zoom
- 15) Marca para montagem de objectiva
- 16) Armação da objectiva/contactos da armação da objectiva

ESPECIFICAÇÕES

	B003
Distância focal	18-270 mm
Abertura máxima	F/3,5-6,3
ângulo de visão	75°33' - 5°55'
Fabrico da objectiva	13/18
Distância focal mínima	0,49 m
Pazão máxima do aumento	1:3,5 (at 270mm)
Tamanho do filtro ϕ	72 mm
Comprimento	101 mm
Diâmetro ϕ	79,6 mm
Peso	550 g
Pára-sol da objectiva	AB003

• As características e a aparência da objectiva apresentada neste manual poderão ser revistas sem aviso prévio.

COLOCAR E REMOVER A OBJECTIVA

Como montar a objectiva

Remover a tampa traseira da objectiva. Alinhe a marca de instalação 15 no corpo da objectiva com a marca correspondente no corpo da máquina fotográfica e introduza a objectiva.

No caso de um encaixe para tripé Nikon, rode a objectiva para a esquerda até prender na posição fixa. No caso de um encaixe para tripé Canon, rode a objectiva para a direita até prender na posição fixa.

Como desmontar a objectiva

Prima o botão de desengate da objectiva para baixo.

No caso de um encaixe para tripé Nikon, rode a objectiva para a direita até prender na posição fixa. No caso de um encaixe para tripé Canon, rode a objectiva para a esquerda até prender na posição fixa.

• Para mais informação, por favor leia o manual de instruções da sua máquina.

FOCAGEM (Autofocus) (Ver. Figs. 1, 2 & 5)

Coloque o interruptor AF/MF na objectiva 13 em AF (Fig. 15). Atroca para o modo AF (foco automático) das câmaras Nikon com seleccionador de modo de foco, deverá ser feita com o botão de troca AF/MF 13, localizado na lateral da objectiva, depois de ter seleccionado o modo de foco [S] ou [C]. Prima ligeiramente o obturador, enquanto espreita pelo visor, a objectiva foca automaticamente. Acende uma luz indicadora, logo que a objectiva estiver nitidamente focada no sujeito principal. Prima o obturador até ao fundo para tirar a fotografia.

- Enquanto o modo AF estiver seleccionado, o accionamento do anel de focagem 6 pode provocar graves danos no mecanismo da objectiva.
- A escala de distância 7 está marcada para fins de orientação. O ponto de focagem actual pode diferir ligeiramente da distância marcada no indicador de distâncias focais.

• Para mais informação, leia por favor o manual de instruções da sua máquina.

FOCAGEM (Focagem manual) (Ver. Fig. 1, 2 & 6)

Coloque o interruptor AF/MF na objectiva 13 em MF (Fig. 6). A troca para o modo MF (foco manual) das câmaras Nikon com seleccionador de modo de foco, deverá ser feita com o botão de troca AF/MF 13, localizado na lateral da objectiva, depois de ter seleccionado o modo de foco [M]. Foque manualmente ao girar o anel de focagem enquanto espreita pelo visor da máquina. O sujeito principal da imagem no visor ficará extremamente nítido no ecrã do visor à medida que a objectiva foca correctamente.

- Mesmo em modo MF, se rodar o anel de focagem 6 enquanto prime o botão do disparador até meio, a lâmpada da função de ajuda à focagem acender-se-á quando a imagem estiver focada.
- Assegure-se de que o sujeito no infinito aparece nítido no visor quando focado, uma vez que a posição de infinito tem uma grande amplitude, para assegurar a focagem correcta sob uma grande variedade de condições.
- Para mais informação, leia por favor o manual de instruções da sua máquina.

MECANISMO VC (Ver. Fig. 1, 7 & 8)

VC (Compensação de Vibrações) é um mecanismo que faz com que as imagens apareçam menos desfocadas quando tirar fotografias manuais. Podem ser tiradas fotografias com uma velocidade do obturador com o máximo de 4 passos menos em comparação do que a que poderia usar normalmente.

*As medições são baseadas nos padrões da companhia. Os efeitos da correção da desfocalização diferem conforme as condições e o utilizador.

Como utilizar o mecanismo VC

A VC pode ser usada em modo AF ou MF.

1) Active a VC 12.

*Quando não for utilizar a VC, desactive-a.

2) Prima o botão de disparo do obturador até meio do seu percurso para verificar o efeito da VC.

Quando premir o botão de disparo do obturador até meio do seu percurso, decorrem aproximadamente 1 segundo até que a VC proporciona uma imagem estável.

Pelo princípio da VC, após premir o botão do obturador a meio do seu percurso, a imagem do visor pode se desfocalizar.

A VC só é eficaz para realizar fotografias manuais nas seguintes condições.

- Lugares com escassa iluminação
- Cenários onde for proibido o uso de flash
- Situações em que o fotógrafo poderá perder a estabilidade
- Rajadas de fotografias de objectos em movimento

A VC pode não ter uma efectividade completa nos seguintes casos:

- Quando uma foto é tirada no veículo que move violentamente.
- Disparo durante o movimento excessivo da máquina.
- Desactive a VC quando tirar fotografias com exposições prolongadas. Se a VC estiver activada, pode apresentar erros.

*Consulte "Tenha cuidado ao utilizar a B003" na folha separada fornecida para ver as precauções a tomar para cada encaixe.

- Pelo princípio da VC, logo após premir o botão do obturador a meio do seu percurso, a imagem do visor pode se desfocalizar, mas não é um erro de funcionamento.
- O provável número de fotografias é reduzido quando se usa o mecanismo VC, em virtude da utilização da fonte de alimentação da câmara.
- Quando se utiliza com a VC activada, ouvirá um "crack" após premir o botão de disparo do obturador a meio do percurso e aproximadamente dois segundos após levantar o dedo do botão. Não é um erro de funcionamento, é um ruído do mecanismo de bloqueio automático da VC.
- Desligue o interruptor VC ao utilizar tripé.
- Como a VC continua em funcionamento mesmo depois de levantar o dedo do botão de disparo do obturador, por cerca de 2 segundos, até o funcionamento do mecanismo de bloqueio automático.
- Se a objectiva for retirada da máquina enquanto a VC estiver activada, poderão ocorrer ruídos de vibrações, mas não é um erro de funcionamento. Coloque a objectiva na câmara com a câmara ligada e o ruído desaparecerá.
- Durante o intervalo que obturador estiver premido a meio do percurso, a VC estará em funcionamento. (Permanecendo activada aproximadamente por 2 segundos depois de levantar o dedo do botão de disparo do obturador)
- A VC pode ser usada em modo AF ou MF.

UTILIZAÇÃO DO ZOOM (Ver. Fig. 1 & 2)

Rode o anel de zoom 9 da objectiva enquanto olha pelo visor da câmara e componha a imagem de acordo com a distância de focagem escolhida.

BOTÃO DE TRAVAGEM DE ZOOM (Ver. Figs. 1, 3 & 4)

Os modelos B003 estão equipados com um novo mecanismo de travagem de zoom, que evita que os canhões das objectivas, quando transportadas ao ombro, se estendam para longas distâncias focais, devido ao seu próprio peso. Fixe os botões em 18 mm, impedindo que o canhão da objectiva gire e se estenda.

Como activar o mecanismo de travagem de zoom

- 1) Travagem: Ponha a objectiva na posição de 18 mm. Mova o botão 11 em direcção à máquina até que as linhas indicadoras fiquem alinhadas. O canhão da objectiva está agora fixo nesta posição e não gira nem se estende pelo seu próprio peso.
- 2) Destravar: Mova o botão na direcção oposta à da máquina. O canhão da objectiva pode agora girar e estender-se para zoom.

- O botão de travagem de zoom 11 não pode ser activado a não ser que a objectiva esteja na posição de 18 mm. Não force o botão de travagem nem tente girar o canhão da objectiva quando este estiver travado.
- A objectiva pode ser usada para tirar fotografias em 18 mm mesmo quando travada.
- O mecanismo de travagem de zoom destina-se a evitar que o canhão da objectiva se estenda quando transportada ao ombro. A objectiva poderá alterar a distância focal durante uma longa exposição se for utilizada numa posição de ângulo alta ou baixa.

PÁRA-SOL DALENTE (Ver figs. 1, 9 - 11)

É fornecida de série uma capa tipo baioneta para objectiva. Recomendamos que fotografe sempre que possível com o pára-sol montado, uma vez que este elimina raios de luz indesejáveis que podem danificar a fotografia. Contudo, tenha em atenção as precauções descritas abaixo, no caso da sua máquina estar equipada com flash incorporado.

Montando o pára-sol na objectiva (Ver Figs. 19 & 101)

Alinhe a Marca de alinhamento para montagem de pára-sol 2 na capa com a marca de escala correspondente 5 na objectiva e junte-as. Rode a capa e empurre-a de forma uniforme na direcção da objectiva (Fig. 19) e rode a capa no sentido horário (Fig. 9). Rode até que a marca "TAMRON" 10 passe para cima (Fig. 10) e encaixe com um clique de forma segura. Durante o processo de montagem do pára-sol, segure os anéis de controlo do zoom e de focagem, para que estes não rodem inadvertidamente.

- Preste especial atenção ao alinhar os indicadores de pára-sol, quando utilizando objectivas zoom, nomeadamente grande angulares (ex. 35 mm ou maiores). A montagem incorrecta de um pára-sol para objectiva zoom de grande angular, pode causar grandes áreas sombreadas nas suas fotografias.

■ Para guardar o pára-sol da objectiva (Ver. Fig. 111)

- 1) Vire a capa da objectiva ao contrário. Aponte a objectiva para a abertura e, de seguida, alinhe a marca de instalação da capa na objectiva com a marca de alinhamento (TAMRON ○) na capa (3).
- 2) Rode a capa no sentido horário até que a marca de alinhamento (•) esteja em cima para a fixar. (Fig. 111)

PRECAUÇÕES AO DISPARAR

O desenho óptico, tanto da Di II, leva em consideração as várias funções das máquinas digitais mono-reflex. No entanto, devido à configuração das máquinas digitais mono-reflex, mesmo que a precisão da focagem AF esteja dentro das especificações, o ponto focal pode cair ligeiramente para a frente ou para trás do ponto óptimo ao fotografar com a focagem automática em certas condições.

Os círculos da imagem das objectivas Di II foram concebidos para a aplicação em câmaras SLR digitais utilizando sensores de imagem equivalentes a APS-C (approx. 15,5×23,2mm). Não utilize objectivas Di II com câmaras utilizando sensores de imagem maiores que APS-C. Utilizando objectivas Di II nessas câmaras pode provocar artefactos na imagem.

A objectiva Tamron aqui descrita utiliza um sistema de focagem interno (IF). Devido às características deste desenho óptico, os ângulos de visão para distâncias que não sejam infinito, são maiores do que as das objectivas com um sistema de focagem normal.

Quando utilizando o flash incorporado, podem acontecer fenómenos fotográficos indesejáveis, como um escurecimento nas esquinas ou perda de pormenor na parte de baixo da imagem, especialmente com grandes ângulos. Isto deve-se às inerentes limitações de cobertura do flash incorporado, e/ou à posição relativa do flash em relação à orla do canhão da objectiva, causando sombras na imagem. Para fotografia com flash, recomendamos o uso de um flash em separado, fornecido pelo fabricante da máquina. Para mais informação, leia por favor o artigo "flash incorporado" no manual de instruções da sua máquina.

Ao utilizar as objectivas no alcance focal telefotográfico, tenha atenção para não tremer a câmara. Para reduzir a distorsão da imagem, active a função VC (Compensação de Vibrações). Para reduzir a distorsão da imagem sem utilizar a função VC, realize os seguintes passos. Para evitar que a foto saia tremida, em câmaras digitais, utilize um ISO de números mais altos e em câmaras de filme, utilize um filme com números de ISO altos para se obter uma velocidade de abertura mais rápida. A utilização de um tripé ou monopé também é eficaz. Sempre que segurar na câmara com a mão para capturar fotografias, abra as pernas mantendo-se quieto, fixe os seus cotovelos contra o peito e segure na câmara contra a sua face. Se possível, encoste-se a algo para manter o equilíbrio ou coloque a câmara sobre qualquer coisa para fixar o suporte. Em especial, sempre que segurar na câmara com as mãos, ficará mais firme se suster a respiração quando prime o obturador.

Enquanto o modo AF estiver seleccionado, o accionamento do anel de focagem pode provocar graves danos no mecanismo da objectiva.

Alguns modelos de máquinas podem indicar os valores de abertura máxima e mínima da objectiva em números aproximados. Isto deve-se ao desenho da máquina e não é uma indicação de erro.

Note por favor que não existe linha indicadora de infravermelho em qualquer dos modos listados neste manual, e por conseguinte, é praticamente impossível utilizar rolo infravermelho a preto e branco com estas objectivas.

Sempre que utilizar um filtro especial como o filtro PL, utilize filtros de baixo perfil. A margem espessa de um filtro normal pode causar o escurecimento dos cantos.

PARA ASSEGURAR UM LONGO E SATISFATÓRIO FUNCIONAMENTO

Evite tocar a superfície de vidro. Use um pano ou fole próprio para lentes fotográficas para remover pó da superfície da lente. Quando não utilizando a objectiva coloque sempre a tampa para protecção.

Use um toalhete de limpeza de lentes ou um pano de linho humidificado com solução de limpeza para retirar dedadas ou porcaria da superfície da lente, com um movimento rotativo do centro para a orla.

Use um pano de silício apenas para limpar o canhão da objectiva.

O mildio é um inimigo da sua objectiva. Limpe a objectiva depois de a utilizar perto de água ou em qualquer outro sítio húmido. Guarde a sua objectiva num sítio limpo, fresco e seco.

Sempre que guardar a objectiva na sua caixa, guarde-a com um qualquer agente de secagem disponível no mercado como gel de sílica e mude-o de tempos a tempos. Se encontrar mildio na sua objectiva, consulte um local de reparações ou a loja de fotografia mais próxima.


Não toque os contactos de interface objectiva-máquina, uma vez que pó, porcaria e/ou nódoas podem causar uma falha de contacto entre a objectiva e a máquina.

Quando usando o seu equipamento [máquina(s) e objectiva(s)] num ambiente onde a temperatura alterne entre grandes extremos, ponha o seu equipamento temporariamente numa caixa ou num saco de plástico durante algum tempo, para que este passe por uma mudança gradual de temperatura. Assim reduzir-se-á a possibilidade de potenciais danos.

NEDERLANDS

Wij feliciteren u met de aanschaf van dit Tamron-objectief ter uitbreiding van uw foto-uitrusting. Voordat u uw nieuwe objectief gaat gebruiken wordt u verzocht deze gebruiksaanwijzing zorgvuldig door te lezen om uzelf vertrouwd te maken met de mogelijkheden van het objectief en kennis te nemen van de fototechnische aanbevelingen, zodat u verzekerd bent van de beste resultaten. Indien u de nodige zorgvuldigheid betracht, zult u vele jaren plezier hebben van uw Tamron-objectief en zult u de prachtigste foto's kunnen maken.

 • Verklaart de voorzorgen die u kunt nemen om problemen te voorkomen.


 • Verklaart dingen die nuttig zijn om te weten, naast de basisbediening.

NAMEN VAN ONDERDELEN (Zie Fig. 1 indien niet vermeld)

- ① Zonnekap
- ② Merkteken voor zonnekapaansluiting
- ③ Kap-bevestigings-indicator
- ④ Filter ring
- ⑤ Bajonetring voor zonnekap
- ⑥ Scherpstelring
- ⑦ Afstandsschaal
- ⑧ Afstandindex
- ⑨ Zoomring
- ⑩ Brandpuntsafstandsschaal
- ⑪ Zoomringvergrendeling (Fig. 3 & 4)
- ⑫ VC-knop
- ⑬ Schakelaar (AF/MF) voor scherpstelling (Fig. 5 & 6)
- ⑭ Scherpsteldiepte-index
- ⑮ Aansluitingsmerkteken voor objectief
- ⑯ Aansluitcontacten/objectiefaansluitcontacten

SPECIFICATIE

	B003
Brandpuntsafstand	18-270 mm
Maximale lensopening	F/3,5-6,3
Zichthoek	75°33' - 5°55'
Lensopbouw	13/18
Minimale scherpstelafstand	0,49 m
Maximale vergrotingsverhouding	1:3,5 (at 270mm)
Filterdiameter ϕ	72 mm
Lengte	101 mm
Diameter ϕ	79,6 mm
Gewicht	550 g
Zonnekap	AB003

 • Zowel de technische specificatie als de uitvoering van de objectieven die in deze gebruiksaanwijzing zijn opgenomen mogen zonder voorafgaande in kennisstelling worden gewijzigd.


HET BEVESTIGEN EN VERWIJDEREN VAN HET OBJECTIEF

■ Bevestigen van het objectief

Verwijder de achterste objectiefkap. Plaats het merkteken ② op het objectief tegenover met het merkteken op de cameravatting en plaats het objectief op de camera. In het geval van een Nikon-vatting, draai het objectief tegen de klok in tot die in de vaste positie klikt. In het geval van een Canon-vatting, draai het objectief met de klok mee tot die in de vaste positie klikt.

■ Verwijderen van het objectief


Druk de ontgrendelingsknop voor het objectief op de camera neerwaarts. In het geval van een Nikon-vatting, draai het objectief met de klok mee tot het in de vaste positie klikt. In het geval van een Canon-vatting, draai het objectief tegen de klok in tot het in de vaste positie klikt.

 • Voor nadere informatie verwijzen wij naar de gebruiksaanwijzing van uw camera.

SCHERPSTELLEN (Autofocus - AF) (Fig. 1, 2 & 5)


Zet de AF/MF-schakelaar ⑬ van de lens op AF (Fig. 5). Bij het gebruik van Nikon camera's met een focus-mode keuze-knop, moet de focus-mode of S of C ingesteld worden vooraleer de AF/MF schakelaar ⑬ op de lens naar AF te schakelen. Druk de ontspanningsknop gedeeltelijk in terwijl u de camera d.m.v. de zoeker op het onderwerp richt, het objectief stelt dan automatisch scherp. Druk de ontspanningsknop geheel in om de foto te maken.

-  • Wanneer de camera in de stand AF staat, kan door de scherpstelring ⑥ te draaien het objectiefmechanisme ernstig beschadigd raken.
- De afstandsschaal ⑦ wordt aangegeven als referentie. Het eigenlijke brandpunt kan lichtjes verschillen van de afstand die op de brandpuntsafstandindex wordt weergegeven.

 • Voor nadere informatie verwijzen wij naar de gebruiksaanwijzing van uw camera.

SCHERPSTELLEN (handmatig scherpstellen - MF) (Fig. 1, 2 & 6)

Zet de AF/MF-schakelaar ⑬ van de lens op MF (Fig. 6). Bij het gebruik van Nikon camera's met een focus-mode keuze-knop, moet de focus-mode of M ingesteld worden vooraleer de AF/MF schakelaar ⑬ op de lens naar MF te schakelen. Stel handmatig scherp middels de scherpstelring terwijl u de camera d.m.v. de zoeker op het onderwerp richt. Wanneer het te fotograferen onderwerp scherp staat in de zoeker, is de lens scherpgesteld.

-  • Als u in de stand MF de scherpstelring ⑥ draait terwijl u de ontspanningsknop gedeeltelijk indrukt, gaat het scherpstel-hulpampje branden wanneer het beeld is scherpgesteld.
 - Stel scherp op het verste onderdeel van het te fotograferen onderwerp. Het beschikt over een zekere flexibiliteit waardoor ook andere onderdelen binnen het scherpgestelde gedeelte scherp worden weergegeven.
- Voor nadere informatie verwijzen wij naar de gebruiksaanwijzing van uw camera.

VC-MECHANISME (Fig. 1, 7 & 8)

De VC (Trillingscompensatie) is een mechanisme dat maakt dat foto's minder onscherp verschijnen (f) het maken van foto's zonder gebruik van statief. Bij het gebruik van de VC kunnen foto's genomen worden met een sluitersnelheid die 4 maal trager is dan indien de VC niet gebruikt wordt. Het resultaat wordt bepaald door metingen gebaseerd op technologie van ons bedrijf. De resultaten verschillen ook afhankelijk van de stijl van fotografieren en de stabiliteit van de fotograaf.

Hoe het VC-mechanisme gebruiken

De VC kan worden gebruikt in modus AF of MF.

1) Activeer de VC-knop (2).

*Deactiveer de VC wanneer u deze niet gaat gebruiken.

2) Druk de sluiterknop tot de helft in om het effect van de VC te controleren.

Na het indrukken van de sluiterknop tot de helft in zijn bereik duurt het ongeveer 1 seconde vooraleer de VC een stabiel beeld produceert.

Omwille van het werkingsprincipe van de VC zal het beeld op de display trillen na het indrukken van de sluiterknop.

De VC is voornamelijk nuttig voor het nemen van foto's in de volgende omstandigheden:

- Plaatsen met beperkte verlichting
- Plaatsen waar het gebruik van een flitsverbod is
- Situaties waarbij de fotograaf het evenwicht moeizaam kan handhaven
- Het maken van een serie foto's van bewegende objecten

De VC kan niet volledig effectief zijn in de volgende gevallen:

- Wanneer een foto vanuit een voertuig is genomen dat hevig beweegt.
- Fotografieren wanneer de camera bijzonder veel beweegt.
- Schakel de VC uit als u foto's maakt met lange belichtingstijden. Als de VC hierbij geactiveerd is, kunnen er fouten optreden.

Believe "Opgelet bij het gebruik van het B003-model" te raadplegen op het blad dat apart werd bijgevoegd met informatie over elke vatting.

- Om wille van het werkingsprincipe van de VC zal het beeld op de display trillen onmiddellijk na het indrukken van de sluiterknop. Dit is geen toestelout.
- Wanneer de VC geactiveerd is, verbruikt de camera energie en er kunnen dus minder opnames gemaakt worden.
- Wanneer de VC in werking is, zal er onmiddellijk na het half indrukken van de sluiterknop of een tweetal seconden na het loslaten van de sluiterknop een klinkgeluid optreden. Dit is het in werking treden van het blokkeringsmechanisme en is geen toestelout.
- Zet de VC-schakelaar op OFF wanneer u een statiefgebruik gebruikt.
- Het duurt nog ongeveer twee seconden na het loslaten van de sluiterknop vooraleer de VC stopt met bewegen en het blokkeringsmechanisme in werking treedt.
- Wanneer de lens van de camera afgenomen wordt, terwijl VC geactiveerd is, is het mogelijk dat de lens een klinkgeluid maakt als de lens aan een schok blootgesteld wordt. Dit is geen toestelout. Breng het objectief opnieuw aan op de camera en schakel de camera aan. Het geluid zou nu moeten verdwijnen.
- De VC is in werking wanneer de sluiterknop voor de helft ingedrukt is (en blijft in werking tot een tweetal seconden nadat de sluiterknop losgelaten wordt.)
- De VC kan worden gebruikt in modus AF of MF.

ZOOMEN (Fig. 1 & 2)

Draai de zoomring (3) van het objectief terwijl u de camera d.m.v. de zoeker op het onderwerp icht en kader het onderwerp uit bij de gekozen brandpuntsafstand.

ZOOMVERGRENDELINGSKNOP (Fig. 9, 10 & 11)

De Modellen B003 zijn voorzien van een zoomvergrendelingsmechanisme dat voorkomt dat het objectief door zijn eigen gewicht gaat 'uitzakken' wanneer de camera aan de schouderriem wordt meegevoerd. De objectieven worden op 18mm vastgezet om spontaan uitdraaien te voorkomen.

- 1) Vergrendelen: stel het objectief in op 18mm. Beweeg de knop (1) in de richting van de camera tot de indexlijnen tegenover elkaar staan. Het objectief is nu vergrendeld en kan niet door zijn eigen gewicht 'uitzakken'.
- 2) Ontgrendelen: beweeg de knop van de camera af. Het objectief is nu ontgrendeld en klaar om in te zoomen.

- De schakelaar kan niet worden bediend wanneer het objectief niet op 18mm is ingesteld. Forceer de schakelaar niet en probeer niet in te zoomen wanneer (1) het objectief is vergrendeld.
- Het objectief is in vergrendelde toestand op 18mm te gebruiken.
- Het vergrendelingsmechanisme is bedoeld om het 'uitzakken' van het objectief tegen te gaan wanneer de camera aan de schouderriem wordt meegevoerd. Als de lens in een lage of hoge hoekpositie wordt gebruikt, kan de lens tijdens een lange belichting zijn brandpuntsafstand veranderen.

ZONNEKAP (Fig. 1, 9 - 11)

Als standaard-accessoire wordt een zonnekap met bajonetaansluiting meegeleverd. Het is aan te bevelen deze kap altijd bij daglicht te gebruiken, daar deze de nadelige invloeden van strooilicht voorkomt. Wanneer u flitsopnames maakt met een ingebouwde flits wordt het gebruik van de zonnekap afgeraden (mogelijke schaduwvorming in het kader).

Het bevestigen van de zonnekap (Fig. 9 & 10)

Zorg ervoor dat Merkteken voor zonnekapaansluiting (2) op de zonnekap tegenover het corresponderende indexteken (5) op het objectief staat en schuif ze tegen elkaar. Draai de zonnekap en druk deze gelijkmatig in de bajonetvatting (Fig. 9) en draai deze vervolgens met de klok mee (Fig. 10). Draai de zonnekap totdat het merkteken "TAMRON O" naar boven wijst (Fig. 10) en op zijn plaats vastklikt. Bij het aanbrengen van de zonnekap dient u de scherpstel- en zoomring vast te houden zodat ze niet verdraaien.

- Zie er in het bijzonder bij groothoekopnames (35mm of minder) op toe dat de zonnekap op de juiste wijze is aangebracht. Bij onjuist gebruik kan het voorkomen dat de hoeken van uw opname van een schaduw worden voorzien.

Opbergen van de zonnekap (Fig. 11)

- 1) Keer de zonnekap om. Richt het objectief op de opening en plaatst vervolgens het merkteken voor de zonnekap op het objectief (3) tegenover het merkteken (TAMRON O) op de zonnekap.
- 2) Draai de zonnekap met de klok mee totdat het merkteken (*) naar boven wijst. (Fig. 11)

AANWIJZINGEN VOOR DE PRAKTIJK

- Het optisch ontwerp van de Di II houdt rekening met de diverse eigenschappen van digitale spiegelreflex camera's. Echter, als gevolg van het ontwerp van digitale spiegelreflexcamera's, kan zelfs als de nauwkeurigheid van de AF-scherpstelling binnen de specificaties ligt, het brandpunt iets voor of achter het optimale punt liggen wanneer u onder bepaalde omstandigheden met behulp van automatische scherpstelling foto's neemt.
- De beeldcirkels van Di II-lenzen zijn ontworpen om te passen bij de digitale SLR-camera's die beeldsensoren gebruiken die gelijkwaardig zijn aan APS-C (approx. 15,5x23,2mm). Gebruik geen Di II-lenzen met camera's die beeldsensoren gebruiken die groter zijn dan APS-C. Het gebruik van Di II-lenzen met zulke camera's kan vignetteren op het beeld tot gevolg hebben.
- Het Tamron-objectief dat hier wordt beschreven, maakt gebruik van een inwendig scherpstellingssysteem (IF-systeem). De eigenschappen van dit optische systeem maken dat de gezichtshoek (m.u.v. de stand oneindig) breder is dan die van objectieven die gebruik maken van een conventioneel scherpstelsysteem.
- Wanneer de ingebouwde flits van uw camera wordt gebruikt, kan het voorkomen dat onregelmatige belichting plaatsvindt, in het bijzonder bij groothoekopnames. Dit is te wijten aan het beperkte bereik van de flits en/of de plaatsing van de flits t.o.v. het objectief (schaduwvorming). Het is aan te bevelen een andere flits te gebruiken. Voor nadere informatie verwijzen wij u naar de gebruiksaanwijzing van uw camera.
- Wanneer u met de telelens fotografeert, dient u ervoor te zorgen dat de camera niet wordt bewogen. Activeer de functie VC (Trillingscompensatie) voor het verminderen van de trillingen. Om de vervorming van de foto te reduceren zonder VC, moet u volgende stappen volgen: Om het bewegen van de camera te vermijden, stelt u hogere ISO-waarden in bij digitale fotocamera's, en bij filmcamera's gebruikt u film met hogere ISO-waarden om een hogere sluitersnelheid te krijgen. Het gebruik van een statief is ook doeltreffend. Wanneer u met de camera vanuit de hand fotografeert, sta dan stil en zet de benen enigszins uit elkaar, houdt de ellebogen stevig tegen de borst en de camera stevig tegen het gezicht. Indien mogelijk, leun ergens tegenaan om uzelf te steunen of plaats de camera ergens op om beter houvast te krijgen. U fotografeert ook beter vanuit de hand wanneer u uw adem inhoudt, terwijl u de sluiters langzaam en stevig indrukt.
- Wanneer de camera in de stand AF staat, kan door de scherpstelling te draaien het objectiefmechanisme ernstig beschadigd raken.
- Bepaalde camera's vermelden de minimale en maximale lensopening in afgeronde getallen. Dit wijst niet noodzakelijkerwijs op een fout.
- De in deze gebruiksaanwijzing vermelde objectieven zijn niet voorzien van een infraroodindexlijn. Er kan derhalve met deze objectieven niet (op praktische wijze) met zwartwit-infraroodfilm worden gefotografeerd.
- Wanneer u een speciaal filter gebruikt, zoals een PL-filter, gebruik dan lage profiel filters. De dikke rand van een normaal filter kan vervloeiende randen veroorzaken.

HET BEHOUD VAN UW OBJECTIEF

- Raak nooit het lenselement of oculair aan met uw vingers. Om stof te verwijderen kunt u een zacht objectieffkwasje gebruiken. Als het objectief niet in gebruik is voorziet u het van lensdoppen.
- Om hardnekkig vuil of vingerafdrukken van glasoppervlakken te verwijderen kunt u een druppeltje lenscleanser op een lensstusje doen en vanuit het midden met een draaiende beweging het geheel reinigen.
- Siliconendoekjes zijn uitsluitend geschikt voor reiniging van de niet-glazen onderdelen van het objectief.
- Vochtinwerking is de grootste vijand van uw objectief. Maak de lens altijd schoon en droog nadat u op vochtige locaties heeft gefotografeerd. Berg uw objectief schoon, koel en droog op. Als u het objectief in een paraffaats opbergt, voeg dan een zakje silicaatgel bij om vochtinwerking tegen te gaan. Als blijkt dat het inwendige van het objectief condensvorming vertoont, dient u het naar een erkende reparateur te brengen.
- Raak de aansluitcontacten nooit aan; stof, vuil en/of oxidatie kan een slecht contact tussen camera en objectief tot gevolg hebben.
- Als u uw uitrusting in sterk wisselende temperaturen wenst te gebruiken, berg deze dan in een fototas of plasticzak en las een acclimatisatieperiode in. Hiermee voorkomt u mogelijke storingen aan toestel en objectief.

感谢您购买了我公司的最新照相配件——Tamron (腾龙) 镜头。
在使用该新镜头之前, 请阅读本手册的内容, 熟悉该镜头的性能, 以便使您有可能创作出最高水平的影像来。小心呵护您的Tamron镜头, 能使您更加长期地拍摄丰富多彩, 激动人心的照片。

• 对可能引起不方便的事项作了说明。

• 除了基本操作之外, 对还须了解的有关事项进行说明。

专用术语 (如不指明可参见图 1)

- ① 遮光罩
- ② 遮光罩校准标记
- ③ 遮光罩已装标记
- ④ 滤镜环
- ⑤ 遮光罩卡环
- ⑥ 对焦环
- ⑦ 摄影 (照相) 距离刻度
- ⑧ 摄影距指数
- ⑨ 变焦环
- ⑩ 焦距刻度
- ⑪ 变焦环锁定开关 (图 3 与 4)
- ⑫ VC 功能开关
- ⑬ AF (自动) MF (手动) 切换开关 (见图 5 与 6)
- ⑭ 变焦记号
- ⑮ 镜头附加标记
- ⑯ 镜头座/镜头座接口

镜头特性

	B003
焦距	18-270mm
最大光圈	F/3.5-6.3
视角 (对角视角)	75°33' - 5°55'
镜头结构	13/18
最小聚焦距	0.49m
最大放大比率	1:3.5 (270mm)
滤色镜规格 ϕ	72mm
长度	101mm
直径 ϕ	79.6mm
重量	550g
遮光罩	AB003

• 手册中所列之特性与外观如有改进, 恕不另行告之。

安装和拆卸镜头

■ 如何装置镜头

取下镜头后盖, 将镜筒上的镜头附加标记 ⑮ 对准相机镜头座上的对应记号, 然后将镜头插入镜头座中。

如果是Nikon卡口, 逆时针转动镜头直至其上扣至锁定位置。如果是Canon卡口, 顺时针转动镜头直至其上扣至锁定位置。

■ 如何拆卸镜头

向下按相机上的镜头释放按钮。

如果是Nikon卡口, 顺时针转动镜头直至其上扣至锁定位置。如果是Canon卡口, 逆时针转动镜头直至其上扣至锁定位置。

• 详情请参阅您相机的说明书。

聚焦 (自动对焦) (参照图 1, 2, 5)

将镜头上的AF/MF切换开关 ⑬ 置于AF位置。(图 5) 使用带有对焦模式功能选择钮的尼康相机时, 请将功能选择钮拨至S或C的位置后, 再将镜头上的AF/MF开关 ⑬ 拨至AF模式。在通过相机取景器取景期间, 轻轻按动快门。镜头便会自动对焦。一旦镜头在景物主体上准确地聚焦时, 对焦记号灯发亮。进一步按下快门进行拍摄。

• 当设定为AF模式时, 如用力转动对焦环 ⑥, 将会造成镜头机械部件严重损坏。
• 标记摄影 (照相) 距离刻度 ⑦ 是由于指导目的。实际焦点可能同焦距标志所标出的距离稍行不同。

• 详情请参阅您相机的说明书。

聚焦 (手动对焦) (参见图 1, 2, 6)

将镜头上的AF/MF切换开关 ⑬ 置于MF位置。(图 6) 使用带有对焦模式功能选择钮的尼康相机时, 请将功能选择钮按至M的位置后, 再将镜头上的AF/MF开关 ⑬ 按至MF模式。在通过相机取景器取景期间, 手动旋转对焦环 ⑥ 进行对焦。当镜头正确地聚焦时, 景物的主体将会在取景器的屏幕上精细而鲜明地显示出来。

- 即使在MF模式, 半按下快门按钮, 同时转动对焦环 ⑥, 图像对焦后, 对焦辅助功能灯也会变亮。
- 对焦时应保证无限远景物能在取景器中清晰呈现。这是因为在无限远位置清晰, 便能确保在大范围推拉拍摄的情况下仍能正确对焦。
- 详情请参阅您相机的说明书。

VC功能 (参见图 1, 7, 8)

VC (Vibration Compensation) 功能, 是一种能够降低手持拍摄时因手持抖动而造成影像模糊的功能。与不使用VC功能进行拍摄相比, 最大可降低4档快门速度的拍摄效果。

*该功能根据本公司的测定标准进行自动调整。此外, 不同的拍摄条件及拍摄习惯, 防手抖动的效果会有所不同。

VC功能的使用方法

在AF (自动对焦) 和MF (手动对焦) 模式都可使用VC功能。

- 1) 将VC功能开关 ⑭ 按至ON的位置。
 - *当不使用VC功能时, 请将开关按至OFF的位置。

- 2) 半按下快门按钮, 确认VC功能的效果。
 - 从半按下快门按钮到图像变得稳定为止, 大约需要1秒左右的时间。在确认图像稳定了以后, 继续按下快门按钮进行拍摄。
 - 根据VC的工作原理, 在半按下快门按钮以后, 取景器中的影像有时会出现晃动现象。

■使用VC功能在下列环境与状态中拍摄, 则可以得到较好的效果。

- 较阴暗的环境
- 禁止使用闪光灯进行拍摄的场所
- 拍摄位置不稳定的状态
- 拍摄运动的被摄体时

■在下列情况下, VC功能可能无法正常发挥功能:

- 在剧烈晃动的乘坐物上进行拍摄时。
- 在相机过度移动时拍摄。
- 使用B门进行拍摄时。由于VC功能在长时间曝光时会因误动作而导致拍摄失败, 请将VC功能开关拨到OFF的位置。

*请参阅附带的各卡口注意事项的页面上的“使用B003时的注意事项”。

- 根据VC的工作原理, 在半按下快门按钮以后, 取景器中的影像有时会出现晃动, 属于正常现象。
- 由于VC功能在ON的状态时, 将会消耗相机电源, 因此相机电源可供拍摄的张数会减少。
- VC功能处于ON的状态时, 半按下快门按钮或手指离开快门按钮约2秒之后, 会听到“咔嚓”的声音, 这是VC功能正常工作的声音而非故障。
- 使用三脚架时, 请将VC开关调至OFF。
- 自手指离开快门按钮到预定功能启动为止的2秒钟VC功能处于启动状态。

- 若在VC被激活时从相机上取下镜头, 则镜头可能在晃动时发出“咔嚓咔嚓”的声音。这并不是故障。在相机上重新安装镜头并将电源调至ON。此声音即消失。
- VC功能在半按下快门期间一直处于工作状态 (当手指离开快门按钮后会持续工作大约2秒钟)。
- VC功能在AF (自动对焦) 和MF (手动对焦) 模式都可使用。

变焦 (参见图 1, 2)

通过相机的取景器取景, 同时旋转镜头的变焦环 ⑨, 选择好焦距以获取您需要的图像。

变焦锁定开关 (参见图 1, 3, 4)

装有最新开发的变焦锁定开关功能, 用以防止相机挂在肩上时由于镜头的自重而自行伸向长焦端的弊端。该功能可使镜头固定在焦距18mm位置。

变焦锁定开关功能如何工作

- 1) 锁定: 将镜头置于18mm位置, 朝相机的方向扳移开关 ⑩, 直至标记线相互对准, 镜筒即可锁定在该位置上而不使其因自重而转动或移位。
- 2) 释放: 反方向扳移开关, 使镜筒得以自如转动和伸展以便变焦。

- 除镜头置于18mm位置外, 不能乱动变焦锁定开关 ⑩, 在锁定期内, 不可试图操作锁定开关旋转镜筒, 否则会造成故障。
- 变焦锁定功能可防止镜筒的无意伸长。
- 相机佩戴期间, 若未能锁定, 并处在拍摄或拍摄位而曝光时间又较长的情况下, 变焦镜头的焦距就可能发生变化。
- 当开关被锁定时, 镜头便能稳定在18mm处进行拍摄。如果在低或高角度位置使用镜头, 则镜头可能在长曝光期间改变其焦距。

遮光罩 (参见图 1, 9, 10, 11)

提供卡环型遮光罩并作为标准配备, 我们建议您在摄影时尽可能多用该遮光罩附件。它可以防止余光对画面的损害, 但当您的相机装备有内置式闪光灯时, 尚请留意下述注意事项。

■装置遮光罩 (参见图 9 与 10)

将遮光罩上的遮光罩安装对准记号 ② 对准对应的记号 ⑤ 或对准镜头距刻度线顶端, 将遮光罩轻轻地按到遮光罩安装卡口环 (图 9), 然后顺时针转动镜头将其固定 (图 10)。随着“TAMRON”标记转至顶端 (图 10), 遮光罩即被固定。安装遮光罩时, 请握住聚焦与变焦环, 从而防止其意外转动。

- 在采用广角摄影 (即35mm或更宽) 时, 应特别要装好遮光罩标记, 如遮光罩装置不当, 在广角变焦下拍摄的相片中可能会有较显著的阴影区。

■收藏遮光罩 (参见图 11)

- 1) 把遮光罩颠倒过来, 将镜头对准日子, 然后将镜头上的遮光罩安装记号对准遮光罩 ③ 上的 (TAMRON) 校准标记。
- 2) 顺时针转动遮光罩, 直至校准标记 (●) 出现在顶端, 从而将其固定。(图 11)

拍摄注意事项

- Di II 镜头的光学设计已充分考虑了数码单反相机的各种特性。但是, 在与数码单反相机的组合使用中, 因进行AF拍摄时拍摄条件不同, 即使镜头上的AF焦点精度符合规格, 有时也会出现焦点位置稍前或稍后的现象。
- Di II 镜头的像圈是为了配合使用相当于APS-C (约15.5 x 23.2mm) 尺寸的图像传感器的单反数码相机所设计的。请勿将 Di II 镜头与使用大于APS-C尺寸的图像传感器的相机一同使用, 将 Di II 镜头与此类相机并用可能引起影像上的渐变现象。
- 这里所述的Tamron镜头使用内置聚焦 (IF) 系统。由于光学设计的特性, 与无穷远处不同, 在该距离内的视角较通常使用的聚焦系统镜头更宽。
- 当相机使用内置闪光灯特别在广角范围内拍摄时, 可能会出现种种有害的摄影异常, 例如边角发暗或影像的底部有渐变等现象, 这是由于内置闪光灯的有效作用距离所限, 和/或闪光到达镜筒的不同部位而引起图像上的阴影所致。为此郑重推荐您使用由照相生产厂商提供的分立式闪光装置, 必能获得较为理想的闪光摄影效果。
 - * 详情请参阅您相机说明书中所述的内置闪光灯有关章节。
- 当镜头用于长焦的成像范围时, 请小心相机的振动。为了防止因相机抖动而造成的影像模糊, 请将VC (振动补偿功能Vibration Compensation) 开关拨到ON的位置。当不使用VC功能时, 请采用以下的方法来防止因相机抖动而造成的影像模糊。为了防止相机震动, 用数码相机时请将ISO感度设定于高感度系数, 用软片相机时请用高ISO系数的软片, 以达到较高的快门速度。使用三脚架或独脚架亦可奏效。
- 用手把持相机摄影时, 请将双脚稍微张开站立, 将双肘稳定地靠在胸前, 并将相机稳固地贴在脸部。若有可能, 请靠周围的静物以稳固姿势或将相机置于周围的静物之上以把持稳定。尤其是用手把持相机时, 若在轻轻地并确实地按快门时能停止呼吸片刻, 将可以保持更安稳的姿势。
- 不可阻碍镜头自动聚焦的运作, 稍有扰动可能会造成镜头机构的严重伤害。
- 某些型号的相机指明有镜头最大和最小的光圈近似值, 这取决于相机的设计, 但不指明误差。
- 请注意任何型号的产品均不会在其手册中列出红外指标, 本镜头不能用于黑白红外胶片拍摄。
- 当配合B003型相机使用像是PL滤镜等特殊滤镜时, 请使用边框较薄的广角滤镜。一般滤镜较厚的外圈可能引起渐变现象。

长时期满意使用的保证

- 避免接触镜头的玻璃表面。当镜头不用时, 应用照相镜头布或棉签除去镜头表面的尘埃, 盖好镜头, 妥善地加以保护。
- 使用镜头纸或蘸一滴清洁液的绒布以旋动方式从中心到边缘来擦除指印或玻璃透镜面上的污垢。
- 仅可用硅布来清洁镜筒。
- 发霉是镜头的大敌, 在邻水或在任何潮湿场所摄影之后必须立即清洁镜头, 并在清洁, 凉爽和干燥之处存放。当镜头贮存在镜头盒中时, 应用如硅胶之类的商用高效干燥剂, 并需适时更换。如您发现镜头有发霉现象, 尚可向修理商行或邻近的照相器材店咨询。
- 镜头与相机的接口连接处不宜触碰, 因灰尘、污垢和 (或) 变脏均会造成镜头和相机的接口故障。
- 当在温差骤变的环境中使用您的摄影器材 (相机与镜头) 时, 应在一段时间内把它暂存在盒内或塑料袋之中, 以便使摄影器材的温度能历经一个渐变的过程, 这样可减少因温差而造成器材的故障。